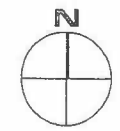


SEE RA3 FOR  
 TYP. TOILET ROOM  
 INTERIOR ELEVATIONS



1  
 RA1 ENLARGED TOILET PLAN

1/4"

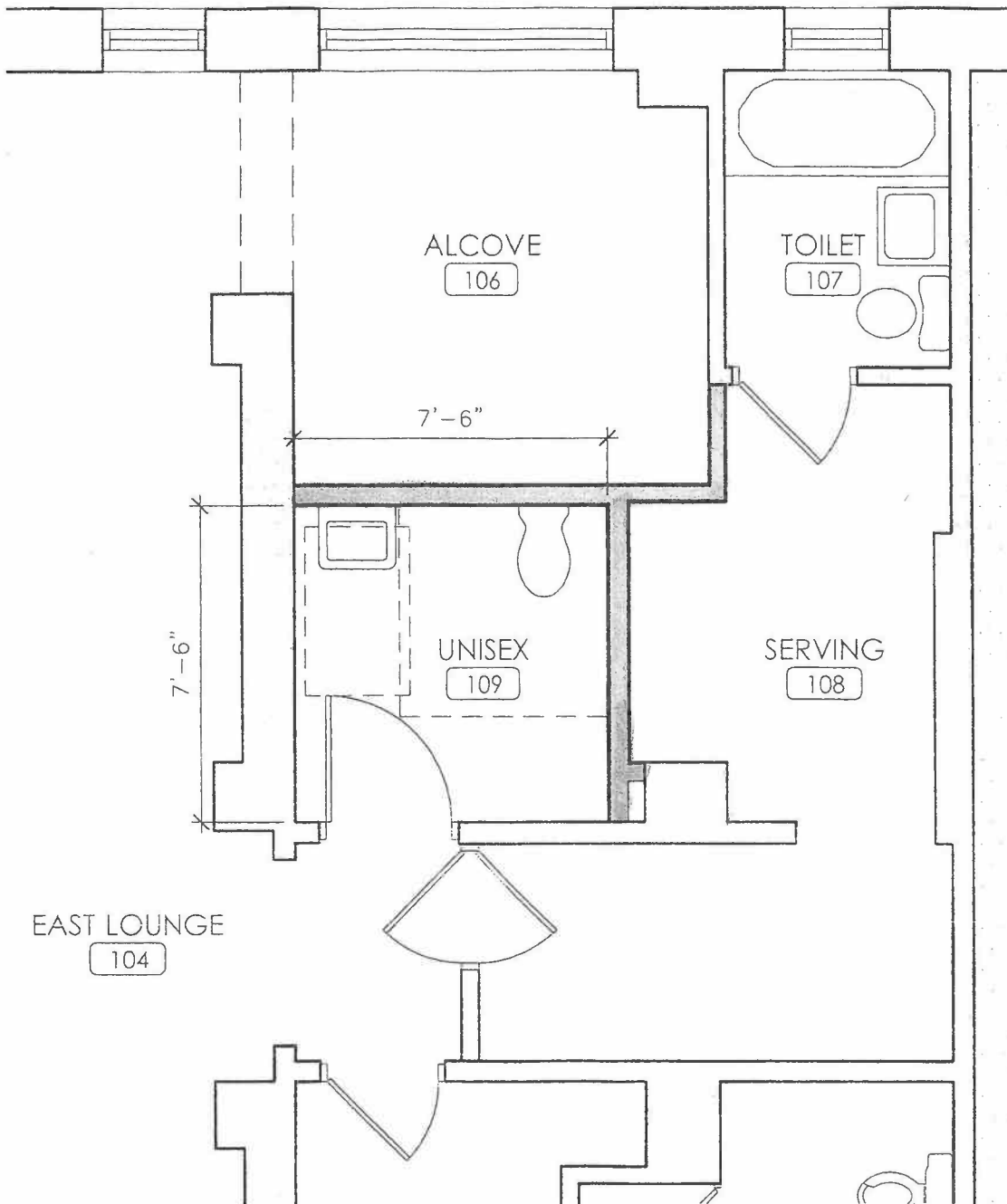
19-a

SHEET NO.  
 RA1

RESTAURANT INTERIOR ALTERATIONS  
 THE COMMODORE  
 79 WESTERN AVENUE  
 Enlarged Toilet Room Plan

**IMCICL**  
 MCGUIRE COURTEAU LUCHE ARCHITECTS, INC.  
 4 WEST 37th ST., SUITE 400 33rd FLOOR, MANHATTAN, NY 10018-3845

CHECKED  
 P.F.M  
 JOE HC



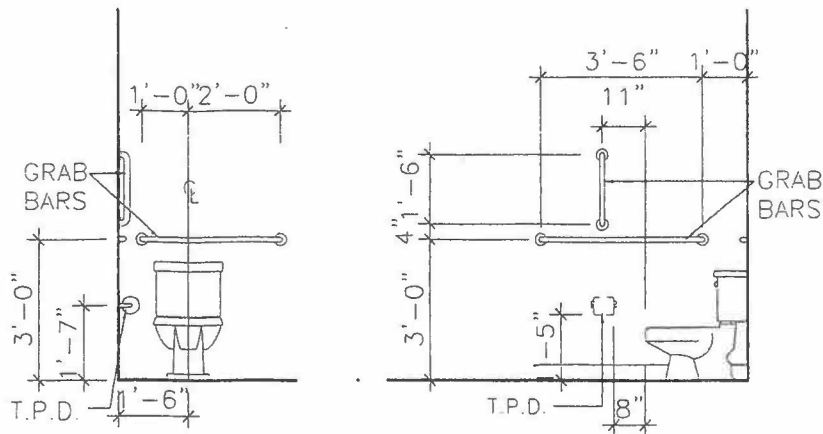
EAST LOUNGE  
104

SEE RA3 FOR  
TYP. TOILET ROOM  
INTERIOR ELEVATIONS

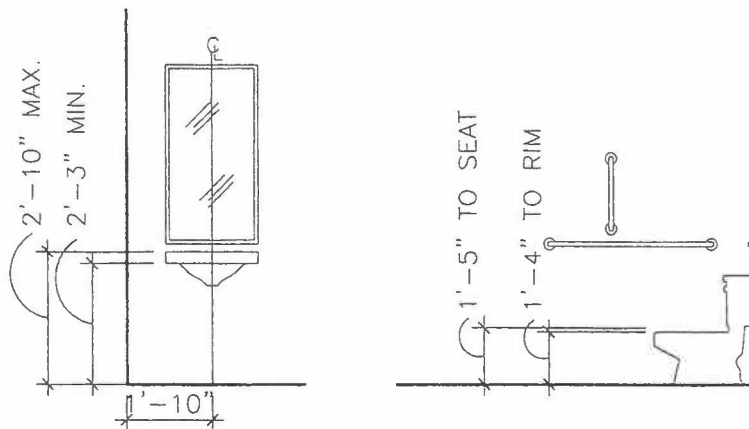
1  
RA2 ENLARGED TOILET PLAN

19-10

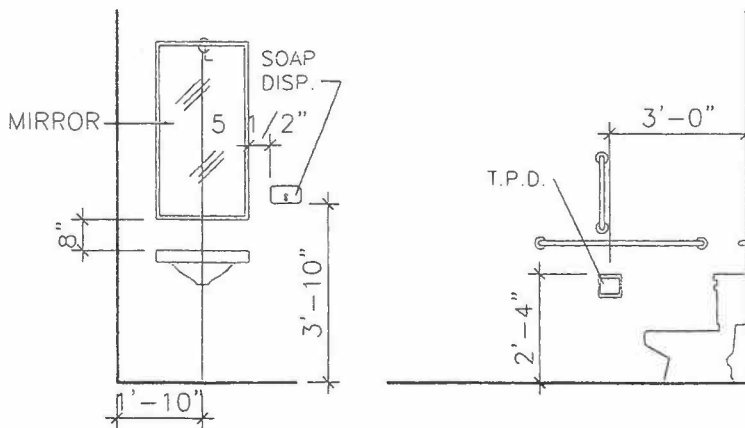
<p>SHEET NO</p> <p>RA2</p>	<p>RESTAURANT INTERIOR ALTERATIONS THE COMMODORE 79 WESTERN AVE N</p> <p>Enlarged Toilet Room Plan</p>	<p><b>MICIL</b></p> <p>McGUIRE COURTEAU LUCHE ARCHITECTS, INC. 2 WEST 31st St., Suite 400 St. Paul, MN 55102 (651) 723-8447</p>	<p>301</p> <p>DRAWN B.L.F. CHECKED P.F.M. JOB NO</p>
----------------------------	--	---	--



TYP. GRAB BAR MOUNTING HEIGHTS



TYP. FIXTURE MOUNTING HEIGHTS



TOILET RM ACCESSORY MOUNTING HEIGHTS

19-11

1/RA3 TYP. TOILET RM MOUNT'G DTL'S. 1/

<p>SHEET</p> <p><b>RA3</b></p>	<p>RESTAURANT INTERIOR ALTERATIONS  <b>THE COMMODORE</b>          79 WESTERN AVE N</p> <p>Toilet Room Details</p>	<p><b>MCCL</b></p> <p>McGUIRE COURTEAU LUCKE ARCHITECTS, INC.  <small>6 West 5th St., Suite 200 St. Paul, MN 55107 (651) 222-8151</small></p> <p>DATE: 7 MAY 2011          DRAWN: B.L.F.          CHECKED: P.F.M.          JOB NO.</p>
--------------------------------	---	--