

24" (61 cm) Electric & 27" (69 cm) Electric and Gas Washer/Dryer Installation Instructions

Instructions pour l'installation de la laveuse/sécheuse électrique de 24" (61 cm) et électrique et à gaz de 27" (69 cm)

Instrucciones de instalación de la lavadora/secadora eléctrica de 24" (61 cm) y eléctrica y de gas de 27" (69 cm)

Table of Contents

WASHER/DRYER SAFETY	2
INSTALLATION REQUIREMENTS.....	5
LOCATION REQUIREMENTS.....	7
DIMENSIONS/CLEARANCES, 27" (69 CM) MODELS	8
DIMENSIONS/CLEARANCES, 24" (61 CM) MODELS	9
DRAIN SYSTEM	10
ELECTRICAL REQUIREMENTS, 240V ELECTRIC MODELS – U.S.A.	11
ELECTRICAL REQUIREMENTS, 120V ELECTRIC MODELS – U.S.A. AND CANADA (24" [61 CM] MODELS ONLY)	12
ELECTRICAL REQUIREMENTS, 240V ELECTRIC MODELS – CANADA.....	12
ELECTRICAL REQUIREMENTS, GAS MODELS (27" [69 CM] MODELS ONLY)	13
GAS SUPPLY REQUIREMENTS, GAS MODELS (27" [69 CM] MODELS ONLY)	13
REMOVE FOAM PACKING (24" [61 CM] MODELS)	14
ELECTRICAL CONNECTION, 27" (69 CM) ELECTRIC MODELS (U.S.A. ONLY)	15
ELECTRICAL CONNECTION, 24" (61 CM) 240V ELECTRIC MODELS (U.S.A. ONLY)	21
VENTING	25
CONNECT DRAIN HOSE.....	28
CONNECT INLET HOSES.....	29
MAKE GAS CONNECTION (GAS 27" [69 CM] MODELS ONLY)	30
CONNECT VENT	31
FINAL INSTALLATION STEPS.....	32
COMPLETE INSTALLATION CHECKLIST	35

Table des matières

SÉCURITÉ DE LA LAVEUSE/SÉCHEUSE	36
EXIGENCES D'INSTALLATION	39
EXIGENCES D'EMPLACEMENT	41
DIMENSIONS/DISTANCES DE DÉGAGEMENT, MODÈLES DE 27" (69 CM).....	42
DIMENSIONS/DISTANCES DE DÉGAGEMENT, MODÈLES DE 24" (61 CM).....	43
SYSTÈME DE VIDANGE	44
SPÉCIFICATIONS ÉLECTRIQUES, MODÈLES ÉLECTRIQUES DE 120V (MODÈLES DE 24" [61 CM] UNIQUEMENT – CANADA.....	45
SPÉCIFICATIONS ÉLECTRIQUES, MODÈLES ÉLECTRIQUES DE 240V – CANADA	45
SPÉCIFICATIONS ÉLECTRIQUES, MODÈLES À GAZ (MODÈLES DE 27" [69 CM] UNIQUEMENT).....	46
SPÉCIFICATIONS DE L'ALIMENTATION EN GAZ, MODÈLES À GAZ (MODÈLES DE 27" [69 CM] UNIQUEMENT).....	47
ENLEVER L'EMBALLAGE EN MOUSSE (MODÈLES DE 24" [61 CM]).....	48
ÉVACUATION	49
RACCORDEMENT DU TUYAU DE VIDANGE.....	52
RACCORDEMENT DES TUYAUX D'ARRIVÉE D'EAU	53
RACCORDEMENT À LA CANALISATION DE GAZ (MODÈLES À GAZ DE 27" [69 CM] UNIQUEMENT).....	54
RACCORDEMENT DU CONDUIT D'ÉVACUATION	55
ÉTAPES D'INSTALLATION FINALES	56
LISTE DE VÉRIFICATION POUR L'ACHÈVEMENT DE L'INSTALLATION	59

Índice

SEGURIDAD DE LA LAVADORA/SECADORA	60
REQUISITOS DE INSTALACIÓN	63
REQUISITOS DE UBICACIÓN.....	65
DIMENSIONES Y ESPACIOS LIBRES, MODELOS DE 27" (69 CM)	66
DIMENSIONES Y ESPACIOS LIBRES, MODELOS DE 24" (61 CM)	67
SISTEMA DE DESAGÜE.....	68
REQUISITOS ELÉCTRICOS, MODELOS ELÉCTRICOS DE 240V.....	69
REQUISITOS ELÉCTRICOS, MODELOS ELÉCTRICOS DE 120V (MODELOS DE 24" [61 CM] SOLAMENTE).....	70
REQUISITOS ELÉCTRICOS, MODELOS A GAS (MODELOS DE 27" [69 CM] SOLAMENTE).....	71
REQUISITOS DEL SUMINISTRO DE GAS, MODELOS A GAS (MODELOS DE 27" [69 CM] SOLAMENTE).....	72

QUITE EL EMBALAJE DE HULE ESPUMA (MODELOS DE 24" [61 CM]).....	73
CONEXIÓN ELÉCTRICA, MODELOS ELÉCTRICOS DE 27" (69 CM) (EE.UU. SOLAMENTE)	74
CONEXIÓN ELÉCTRICA, MODELOS ELÉCTRICOS DE 24" (61 CM) DE 240V (EE.UU. SOLAMENTE).....	80
VENTILACIÓN	84
CONECTE LA MANGUERA DE DESAGÜE.....	87
CONECTE LAS MANGUERAS DE ENTRADA	88
CONEXIÓN DEL SUMINISTRO DE GAS (MODELOS A GAS DE 27" [69 CM] SOLAMENTE)	89
CONECTE EL DUCTO DE ESCAPE.....	90
PASOS FINALES DE INSTALACIÓN	91
LISTA DE CONTROL PARA LA REALIZACIÓN DE LA INSTALACIÓN.....	94

INSTALLATION NOTES

Date of purchase: _____
 Date of installation: _____
 Installer: _____
 Model number: _____
 Serial number: _____

NOTES CONCERNANT L'INSTALLATION

Date d'achat : _____
 Date d'installation : _____
 Installateur : _____
 Numéro de modèle : _____
 Numéro de série : _____

NOTAS DE INSTALACIÓN

Fecha de la compra: _____
 Fecha de la instalación: _____
 Instalador: _____
 Número de modelo: _____
 Número de serie: _____



Washer/Dryer Safety

Your safety and the safety of others are very important.

We have provided many important safety messages in this manual and on your appliance. Always read and obey all safety messages.



This is the safety alert symbol.

This symbol alerts you to potential hazards that can kill or hurt you and others.

All safety messages will follow the safety alert symbol and either the word "DANGER" or "WARNING."

These words mean:

▲ DANGER

You can be killed or seriously injured if you don't immediately follow instructions.

▲ WARNING

You can be killed or seriously injured if you don't follow instructions.

All safety messages will tell you what the potential hazard is, tell you how to reduce the chance of injury, and tell you what can happen if the instructions are not followed.



WARNING - "Risk of Fire"

- Clothes dryer installation must be performed by a qualified installer.
- **Install the clothes dryer according to the manufacturer's instructions and local codes.**
- **Do not install a clothes dryer with flexible plastic venting materials or flexible metal (foil type) duct. If flexible metal duct is installed, it must be of a specific type identified by the appliance manufacturer as suitable for use with clothes dryers. Flexible venting materials are known to collapse, be easily crushed, and trap lint. These conditions will obstruct clothes dryer airflow and increase the risk of fire.**
- To reduce the risk of severe injury or death, follow all installation instructions.
- Save these instructions.

▲ WARNING

Fire Hazard

Failure to follow safety warnings exactly could result in serious injury, death, or property damage.

Do not install a booster fan in the exhaust duct.

Install all clothes dryers in accordance with the installation instructions of the manufacturer of the dryer.

Venting

Venting Requirements

 **WARNING**



Fire Hazard

Use a heavy metal vent.

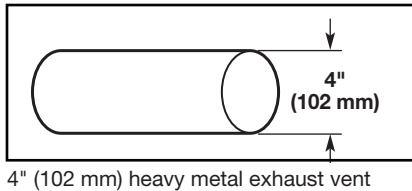
Do not use a plastic vent.

Do not use a metal foil vent.

Failure to follow these instructions can result in death or fire.

WARNING: To reduce the risk of fire, this dryer MUST BE EXHAUSTED OUTDOORS.

IMPORTANT: Observe all governing codes and ordinances. Dryer exhaust must not be connected into any gas vent, chimney, wall, ceiling, attic, crawlspace, or a concealed space of a building. Only rigid or flexible metal vent shall be used for exhausting.



- Only a 4" (102 mm) heavy metal exhaust vent and clamps may be used.
- Do not use plastic or metal foil vent.

Rigid metal vent:

- Recommended for best drying performance and to avoid crushing and kinking.

Flexible metal vent: (Acceptable only if accessible to clean)

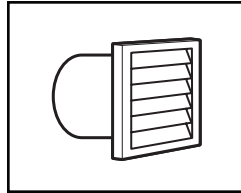
- Must be fully extended and supported in final dryer location.
- Remove excess to avoid sagging and kinking that may result in reduced airflow and poor performance.
- Do not install in enclosed walls, ceilings, or floors.
- The total length should not exceed 7¾ ft. (2.4 m).

NOTE: If using an existing vent system, clean lint from entire length of the system and make sure exhaust hood is not plugged with lint. Replace plastic or metal foil vents with rigid metal or flexible metal vents. Review "Vent System Chart" and, if necessary, modify existing vent system to achieve best drying performance.

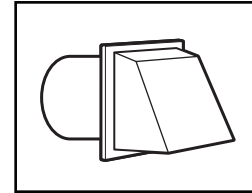
Exhaust hoods:

- Must be at least 12" (305 mm) from ground or any object that may obstruct exhaust (such as flowers, rocks, bushes, or snow).

Recommended Styles:

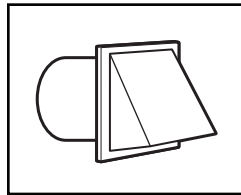


Louvered hood



Box hood

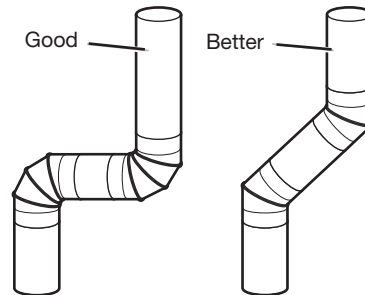
Acceptable Style:



Angled hood

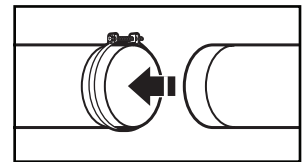
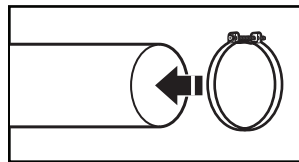
Elbows:

- 45° elbows provide better airflow than 90° elbows.



Clamps:

- Use clamps to seal all joints.
- Exhaust vent must not be connected or secured with screws or other fastening devices that extend into interior of duct and catch lint. Do not use duct tape.



Improper venting can cause moisture and lint to collect indoors, which may result in:

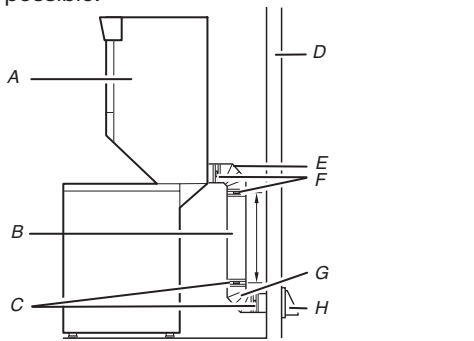
- Moisture damage to woodwork, furniture, paint, wallpaper, carpets, etc.
- Housecleaning problems and health problems.

See "Venting Kits" for more information.

Plan Vent System

Recommended exhaust installations

Typical installations vent the washer/dryer from the rear. Other installations are possible.




- | | |
|---------------------------------------|-----------------|
| A. Dryer | E. Elbow |
| B. Rigid metal or flexible metal vent | F. Clamps |
| C. Clamps | G. Elbow |
| D. Wall | H. Exhaust hood |

Optional exhaust installations:

24" (61 cm) washer/dryer models can be converted to exhaust out the right or left side. To convert the washer/dryer, use Side Exhaust Kit Part Number 279823. If your washer/dryer was previously exhausted from the right or left side, it can be converted to rear exhaust by using standard offset connections. To cover the hole in the side, the following plug can be added: 692790 (white)

Follow the instructions in the kit to install. The kit is available from the dealer from whom you purchased your washer/dryer.

⚠ WARNING

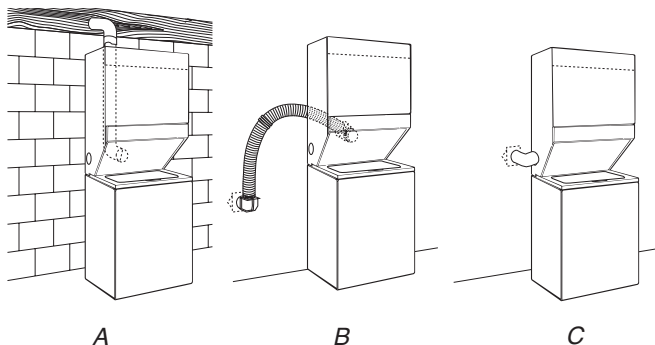


Fire Hazard

Cover unused exhaust holes with a manufacturer's exhaust cover kit.

Contact your local dealer.

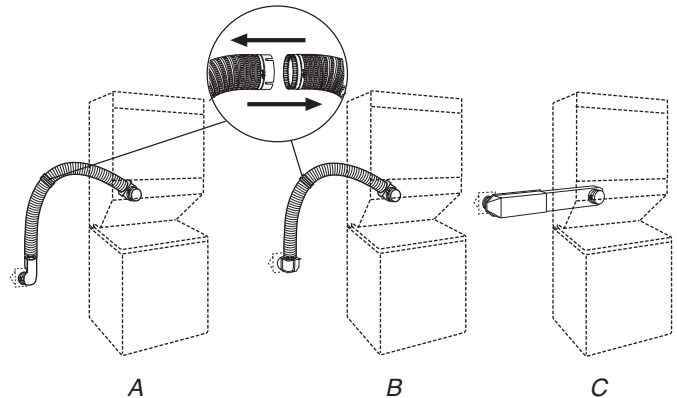
Failure to follow these instructions can result in death, fire, electrical shock, or serious injury.



- A. Standard rear offset exhaust installation
 B. Rear exhaust for offset close-clearance connection
 C. Left- or right-side exhaust installation (24" [61 cm] models only)

Alternate installations for close clearances

Venting systems come in many varieties. Select the type best for your installation. Three close-clearance installations are shown. Refer to the manufacturer's instructions.



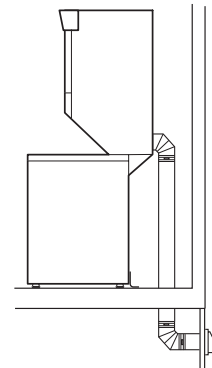
- A. Loop system with standard elbows
 B. Loop system with one offset and one standard elbow
 C. Vent system with one periscope (2" [51 mm] clearance)

Venting Kits

For more information, call **1-866-698-2538**, or visit us at www.whirlpool.com. In Canada, call **1-800-688-2002** or visit us at www.whirlpool.ca.

Special provisions for mobile home installations:

The exhaust vent must be securely fastened to a noncombustible portion of the mobile home structure and must not terminate beneath the mobile home. Terminate the exhaust vent outside.



Determine vent path:

- Select route that will provide straightest and most direct path outdoors.
- Plan installation to use fewest number of elbows and turns.
- When using elbows or making turns, allow as much room as possible.
- Bend vent gradually to avoid kinking.
- Use as few 90° turns as possible.

Install Vent System

Determine vent length and elbows needed for best drying performance:

- Use following Vent System Chart to determine type of vent material and hood combinations acceptable to use.

NOTE: Do not use vent runs longer than those specified in Vent System Chart. Exhaust systems longer than those specified will:

- Shorten life of dryer.
- Reduce performance, resulting in longer drying times and increased energy usage.

The Vent System Chart provides venting requirements that will help achieve best drying performance.

Vent System Chart, 27" (69 cm) Models

Number of 90° turns or elbows	Type of vent	Angled hoods
0	Rigid metal	35 ft. (10.7 m)
1	Rigid metal	27 ft. (8.2 m)
2	Rigid metal	19 ft. (5.8 m)

Vent System Chart, 24" (61 cm) Models

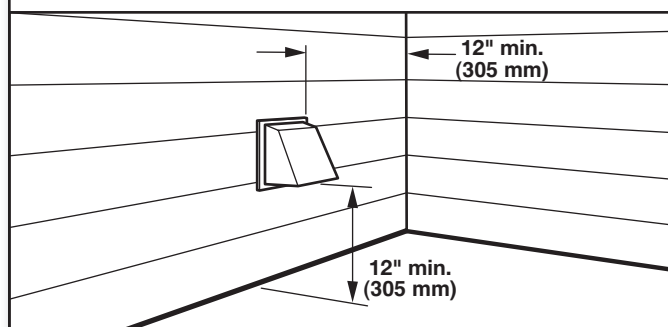
Number of 90° turns or elbows	Type of vent	Angled hoods
0	Rigid metal	36 ft. (11.0 m)
1	Rigid metal	26 ft. (7.9 m)
2	Rigid metal	16 ft. (4.9 m)

NOTE: Side exhaust installations (24" [61 cm] models only) have a 90° turn inside the dryer. To determine maximum exhaust length, add one 90° turn to the chart.

Vent System Chart, 27" (69 cm) Long Vent Models WETLV27H and WGLV27H (U.S. Only)

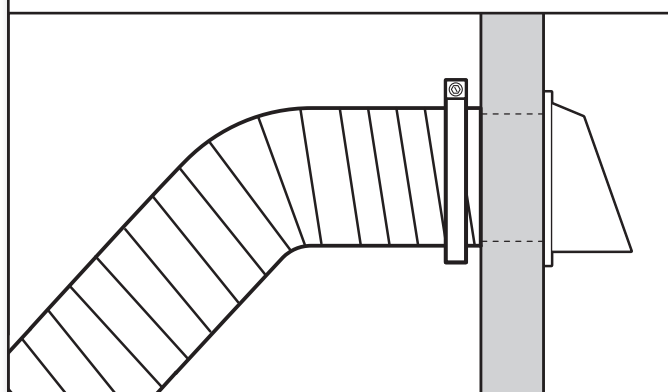
Number of 90° turns or elbows	Type of vent	Angled hoods
0	Rigid metal	125 ft. (38.1 m)
1	Rigid metal	115 ft. (35.1 m)
2	Rigid metal	105 ft. (32.0 m)
3	Rigid metal	95 ft. (29.0 m)
4	Rigid metal	85 ft. (25.9 m)
5	Rigid metal	75 ft. (22.9 m)

1. Install exhaust hood



Install exhaust hood and use caulking compound to seal exterior wall opening around exhaust hood.

2. Connect vent to exhaust hood



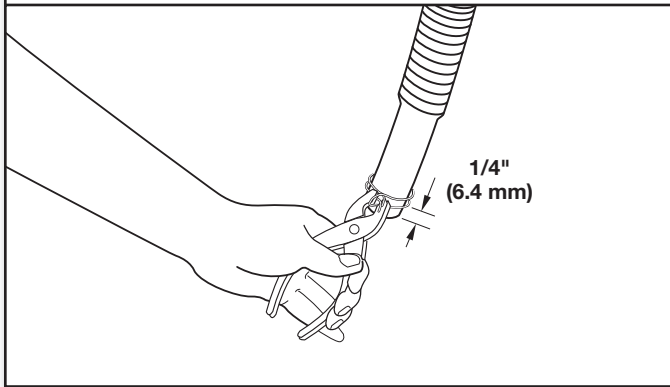
Vent must fit inside the exhaust hood. Secure vent to exhaust hood with 4" (102 mm) clamp. Run vent to dryer location using straightest path possible. Avoid 90° turns. Use clamps to seal all joints. Do not use duct tape, screws, or other fastening devices that extend into interior of vent to secure vent, because they can catch lint.

Connect Drain Hose

Proper connection of the drain hose protects your floors from damage due to water leakage. To keep the drain hose from coming off or leaking, it must be installed according to the following instructions:

IMPORTANT: To ensure proper installation, this procedure must be followed exactly.

1. Attach clamp to drain hose

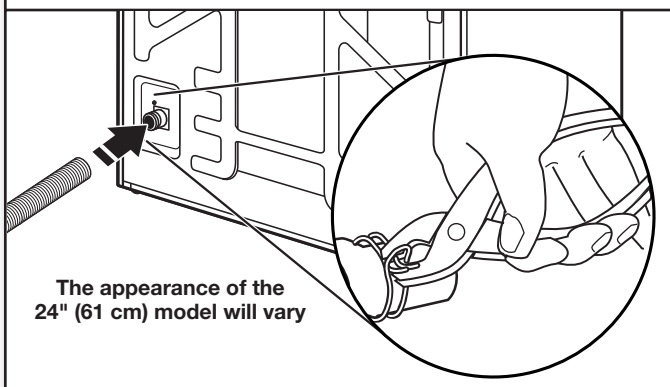


Check the drain hose to see whether it is the proper length. Wet the inside of the straight end of the drain hose with tap water.

IMPORTANT: Do not use any lubricant other than water.

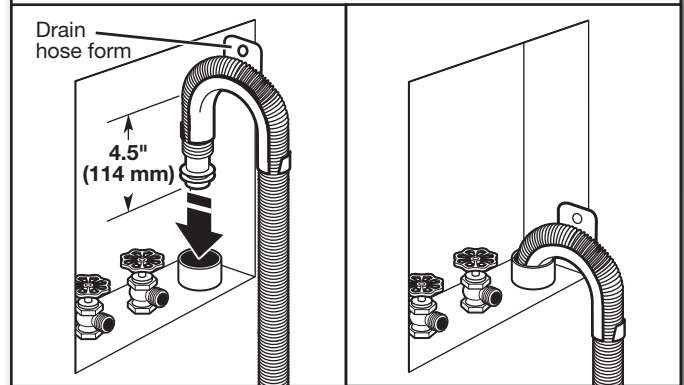
Squeeze ears of the silver double-wire clamp with pliers to open. Place clamp over the straight end of the drain hose 1/4" (6.4 mm) from the end.

2. Attach drain hose to drain connector (27" [69 cm] model shown)



Open clamp. Twist hose back and forth while pushing onto drain connector at the lower left (27" [69 cm] models) or lower center (24" [61 cm] models) portion of the rear of the washer/dryer. Continue until hose contacts the ribbed stops on the cabinet. On 27" (69 cm) models, place clamp over the area on the hose marked "CLAMP." On 24" (61 cm) models, place clamp over the smooth area on the hose between the two ribs. Release clamp.

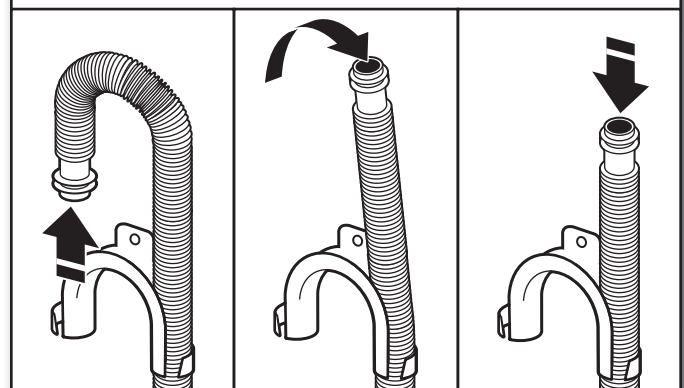
3. Place drain hose in standpipe



Place hose into standpipe (shown in picture) or over side of laundry tub.

IMPORTANT: 4.5" (114 mm) of drain hose should be inside standpipe; do not force excess hose into standpipe or lay on bottom of laundry tub. Drain hose form must be used.

4. Remove drain hose form (floor drain installations only)



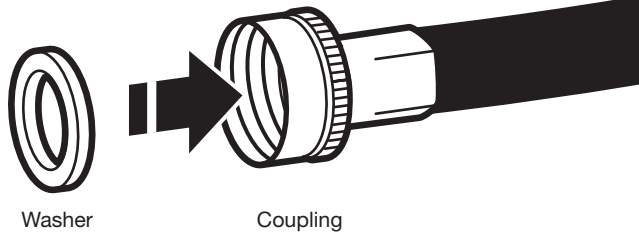
For floor drain installations, you will need to remove the drain hose form from the end of the drain hose. You may need additional parts with separate directions. See "Tools and Parts."

Connect Inlet Hoses

Washer must be connected to water faucets with new inlet hoses with flat washers (not provided). Do not use old hoses.

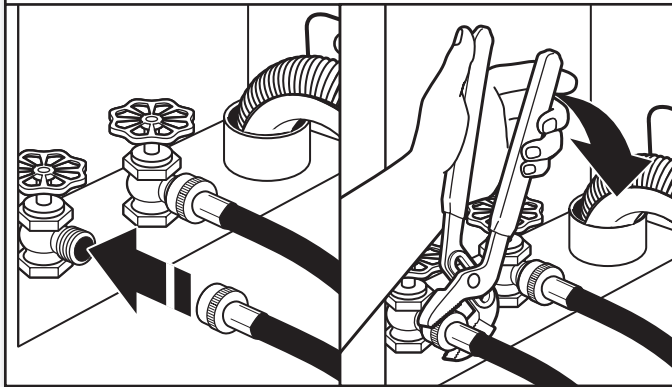
NOTE: Both hoses must be attached and have water flowing to inlet valves. If you are only connecting to a cold water faucet, you must use a Y-adapter (not included).

1. Insert washer into each hose



Insert a new flat washer into each end of the inlet hoses (not provided). Firmly seat the washers in the couplings.

2. Connect inlet hoses to water faucets

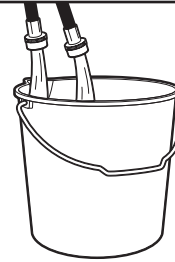


Attach hose to hot water faucet. Screw on coupling by hand until it is seated on washer. Use pliers to tighten couplings an additional two-thirds turn. Repeat this step with second hose for cold water faucet.

IMPORTANT: Do not overtighten or use tape or sealants on valve when attaching to faucets or washer. Damage can result.

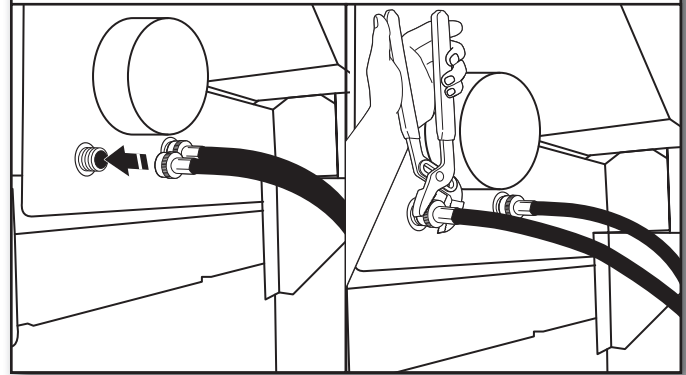
HELPFUL TIP: Make note of which hose is connected to hot water to help in attaching hoses to washer correctly. In most standard configurations, hoses will cross over each other when attached correctly.

3. Clear water lines



Run water for a few seconds through hoses into a laundry tub, drainpipe, or bucket to prevent clogs. Water should run until clear.

4. Connect inlet hoses to washer

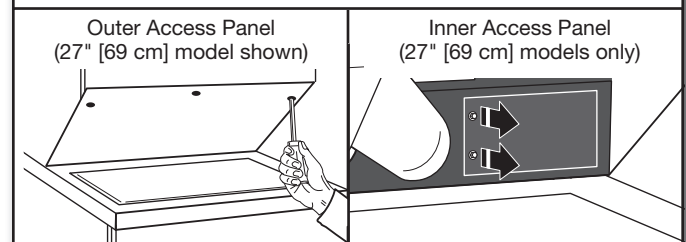


Attach hot water hose to the right-hand (red) inlet valve. Screw coupling by hand until it is snug. Use pliers to tighten couplings an additional two-thirds turn. Repeat with cold water inlet valve (left-hand [blue] inlet valve).

IMPORTANT: To reduce risk of hose failure, replace the hoses every 5 years. Record hose installation or replacement dates for future reference.

- Periodically inspect and replace hoses if bulges, kinks, cuts, wear, or leaks are found.

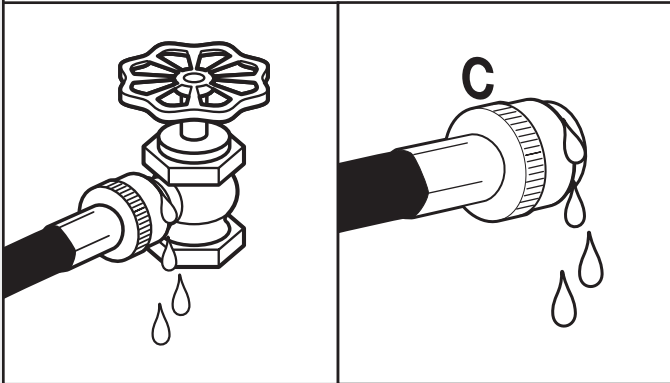
5. Move washer/dryer to final location



If you are working in a closet or recessed area: move the washer/dryer into its final location and remove cardboard from under washer/dryer. Remove the outer access panel by removing two (24" [61 cm] models) or three (27" [69 cm] models) Phillips-head screws and one bumper (27" [69 cm] models only), located at the top of the access panel. Remove inner access panel (27" [69 cm] models only) by removing cover and two screws. Set panels, screws, inner access panel cover, and bumper aside. Complete hookup of water hoses and vent. Replace access panels upon completion of washer/dryer installation.

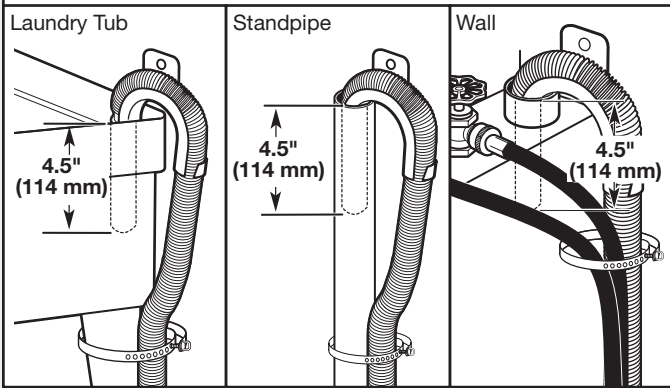
Make Gas Connection (Gas 27" [69 cm] Models Only)

6. Check for leaks



Turn on water faucets to check for leaks. A small amount of water may enter washer. It will drain later.

7. Secure drain hose

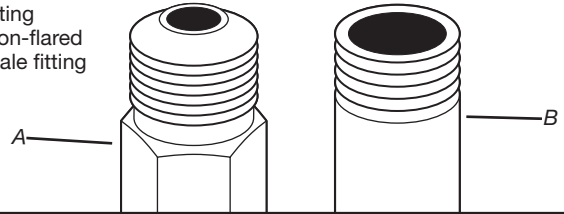


Secure drain hose to laundry tub leg, drain standpipe, or inlet hoses for wall standpipe with plastic strap included in the parts package.

It is the responsibility of the installer to install and secure the drain hose into the provided plumbing/drain in a manner that will avoid the drain hose coming out of or leaking from the plumbing/drain.

1. Preparing to connect gas supply to dryer

- A. Flared male fitting
- B. Non-flared male fitting

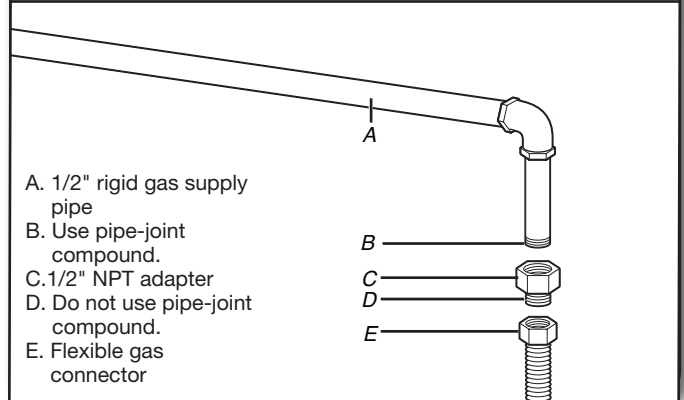


Remove red cap from flexible gas connector. Remove the 1/2" NPT adapter from the flexible gas connector (it will be necessary to use two adjustable wrenches). Use pipe-joint compound on threads of all non-flared male fittings. If flexible metal tubing is used, be sure there are no kinks.

NOTE: For propane gas connections, you must use pipe-joint compound resistant to action of propane gas. Do not use TEFLON® tape.

2. Install adapter

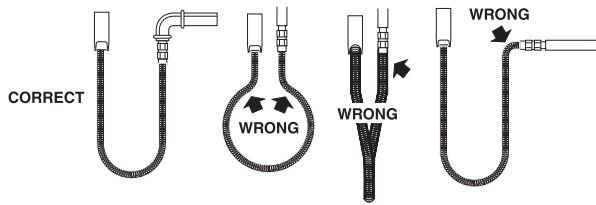
- A. 1/2" rigid gas supply pipe
- B. Use pipe-joint compound.
- C. 1/2" NPT adapter
- D. Do not use pipe-joint compound.
- E. Flexible gas connector



Install the adapter on the 1/2" rigid gas supply pipe using pipe-joint compound.

NOTE: For propane gas connections, you must use pipe-joint compound resistant to action of propane gas. Do not use TEFLON® tape.

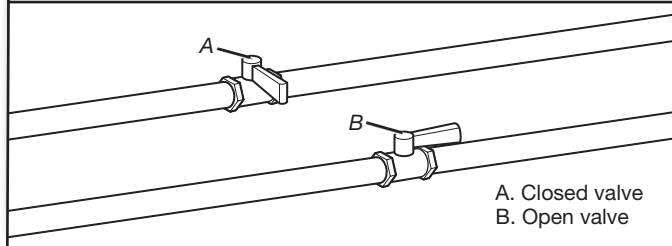
3. Attach connector



Attach the flexible gas connector to the 1/2" NPT adapter. Do not use pipe-joint compound for this connection.

There should be a natural loop in the flexible gas connector. The flexible gas connector must not be twisted, kinked, or attached with any sharp bends.

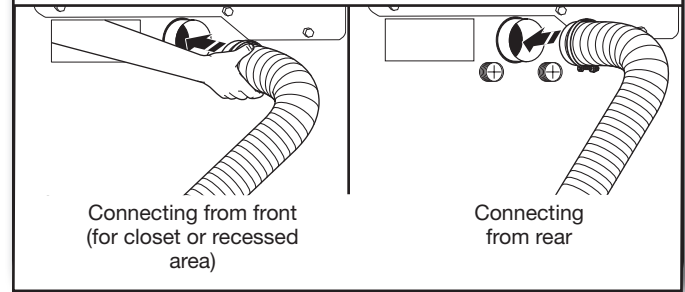
4. Open shut-off valve



Open shut-off valve in supply line; valve is open when handle is parallel to gas pipe. Then, test all connections by brushing on an approved noncorrosive leak-detection solution. Bubbles will show a leak. Correct any leak found.

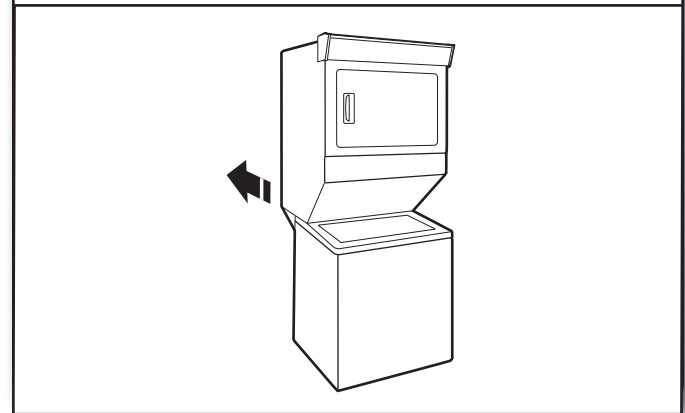
Connect Vent

1. Connect vent to exhaust outlet (27" [69 cm] model shown)



Using a 4" (102 mm) clamp, connect vent to exhaust outlet in dryer. If connecting to existing vent, make sure vent is clean. Dryer vent must fit over dryer exhaust outlet and inside exhaust hood. Check that vent is secured to exhaust hood with a 4" (102 mm) clamp.

2. Move washer/dryer to final location



Move washer/dryer to final location, taking care not to crush or kink vent.

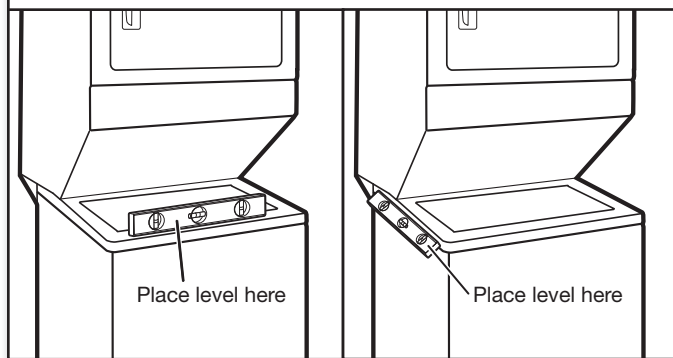
After washer/dryer is in place, remove corner posts and cardboard from under washer/dryer.

Final Installation Steps

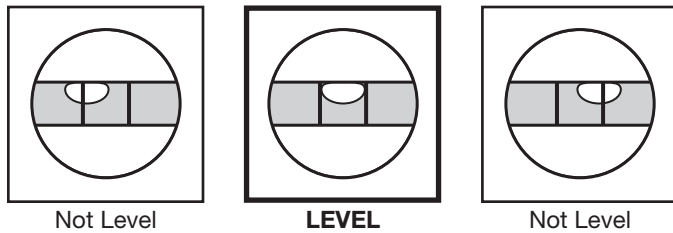
Level Washer/Dryer

IMPORTANT: Level washer/dryer properly to reduce excess noise and vibration.

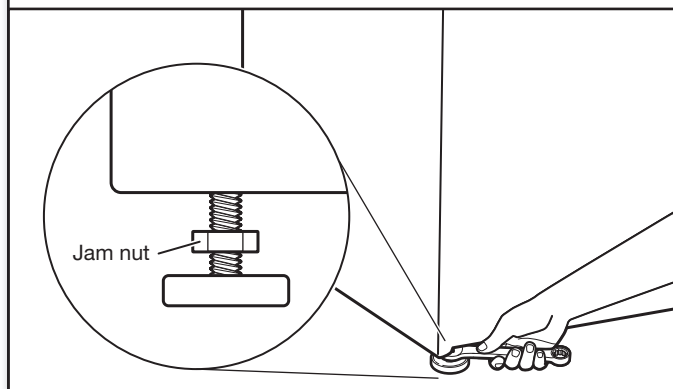
1. Check levelness of washer/dryer



With washer/dryer in its final location, place a level on top edges of washer/dryer. Use side seam as a guide to check levelness of sides. Check levelness of front using lid, as shown. Rock washer/dryer back and forth to make sure all four feet make solid contact with floor. If washer/dryer is level, skip to step 3 (24" [61 cm] models) or "Install Anti-Tip Brackets" (27" [69 cm] models).



2. Adjust leveling feet (24" [61 cm] model shown)



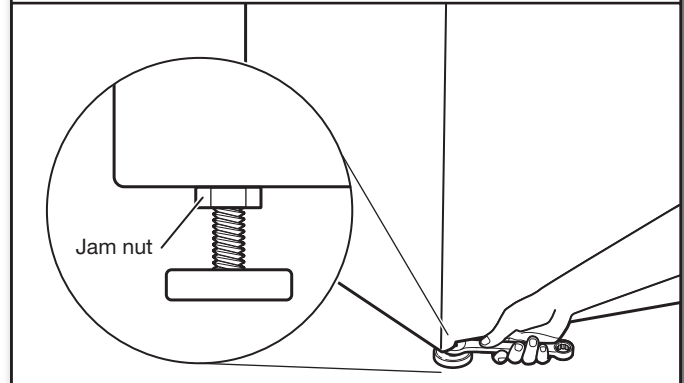
If washer/dryer is not level, prop up front of washer/dryer about 4" (102 mm) with a wood block or similar object that will support weight of washer/dryer.

On 24" (61 cm) models, use a 9/16" or 14 mm open-end or adjustable wrench to turn jam nuts clockwise on feet until they are about 1/2" (13 mm) from the washer/dryer cabinet. Then turn the leveling foot clockwise to lower the washer/dryer or counterclockwise to raise the washer/dryer.

On 27" (69 cm) models, adjust the feet up or down as necessary.

On all models, remove wood block and lower washer/dryer. Recheck levelness of washer/dryer and repeat as needed.

3. Tighten leveling feet (24" [61 cm] models)

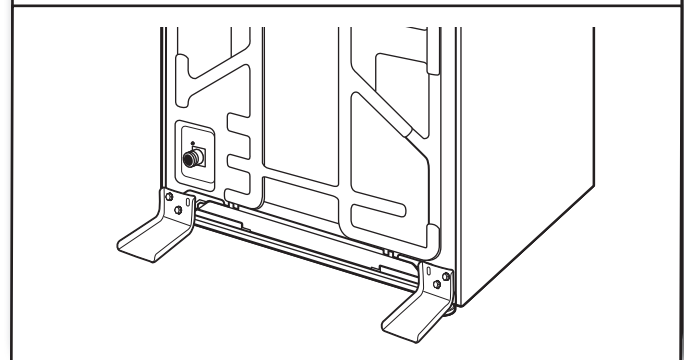


When washer/dryer is level, use a 9/16" or 14 mm open-end or adjustable wrench to turn jam nuts counterclockwise on leveling feet tightly against washer/dryer cabinet.

HELPFUL TIP: You may want to prop washer/dryer with a wooden block.

Install Anti-Tip Brackets (27" [69 cm] Models Only)

1. Attach anti-tip brackets



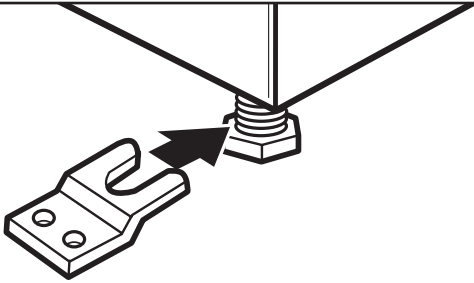
IMPORTANT: The anti-tip brackets must be installed on 27" (69 cm) models to avoid possible tipping backward of the washer/dryer.

With the washer/dryer in its final location, place anti-tip brackets at the lower left and lower right corners of the rear of the washer/dryer, aligning the screw holes in the brackets with the perforations in the cabinet, as shown.

Insert two of the provided screws in the top left and bottom holes in the left-hand bracket with a 1/4" (6.5 mm) nut driver or socket wrench and secure tightly to the washer/dryer cabinet. Repeat for the right-hand bracket using the top right and bottom holes.

Fasten Gas Washer/Dryer to Floor (Gas 27" [69 cm] Models Installed in Mobile Homes Only)

1. Fasten washer/dryer to floor



For mobile home use: Washer/dryers with gas dryers must be securely fastened to the floor.

Mobile home installations require a Mobile Home Installation Kit. See "Tools and Parts" for information on ordering.

Plug In Washer/Dryer: 27" (69 cm) Electric Models with Power Cord and 24" (61 cm) 240V Electric Models

In U.S.A.

⚠ WARNING



Electrical Shock Hazard

Plug into a grounded 3 or 4 prong outlet.

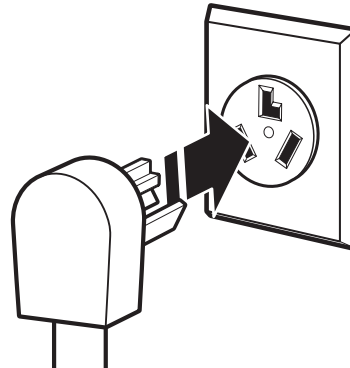
Do not remove ground prong.

Do not use an adapter.

Do not use an extension cord.

Failure to follow these instructions can result in death, fire, or electrical shock.

1. Plug into a grounded 3 or 4 prong outlet



⚠ WARNING

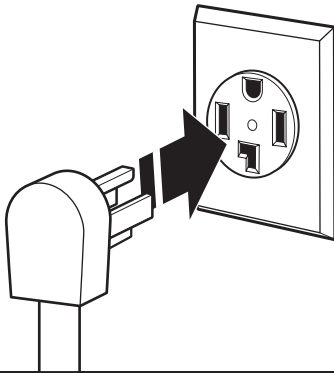


Electrical Shock Hazard

Plug into a grounded 4 prong outlet.

Failure to do so can result in death or electrical shock.

1. Plug into a grounded 4 prong outlet



**Plug In Washer/Dryer:
27" (69 cm) Gas Models**

⚠ WARNING



Electrical Shock Hazard

Plug into a grounded 3 prong outlet.

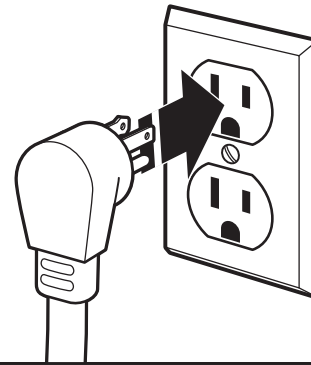
Do not remove ground prong.

Do not use an adapter.

Do not use an extension cord.

**Failure to follow these instructions can result in death,
fire, or electrical shock.**

1. Plug into a grounded 3 prong outlet



Plug In Washer/Dryer: 24" (61 cm) 120V Electric Models

⚠ WARNING



Electrical Shock Hazard

Plug into a grounded 3 prong outlet.

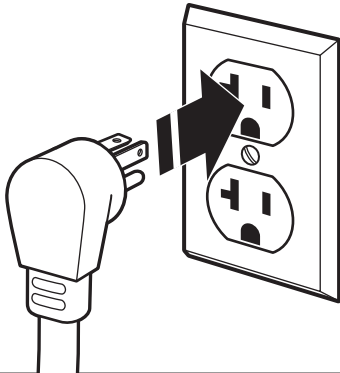
Do not remove ground prong.

Do not use an adapter.

Do not use an extension cord.

Failure to follow these instructions can result in death, fire, or electrical shock.

1. Plug into a grounded 3 prong 20 amp (5-20R) outlet



Complete Installation Checklist

- Check that all parts are now installed. If there is an extra part, go back through the steps to see which step was skipped.
- Check that you have all of your tools.
- Dispose of/recycle all packaging materials. Keep the plastic foam (24" [61 cm] models) for use if the washer/dryer should be transported.
- Check the washer/dryer's final location. Be sure the vent is not crushed or kinked.
- Check that the washer/dryer is level and leveling feet are tight (24" [61 cm] models). See "Level Washer/Dryer."

Electric Models (In the U.S.A.):

- 240V models: For power supply cord installation, plug into a grounded 4 prong or 3 prong outlet. For direct wire installation (27" [69 cm] models only), turn on power.
- 120V models: Plug into a grounded 3 prong 20 amp outlet.

Electric Models (In Canada):

- 240V models: Plug into a grounded 4 prong outlet.
- 120V models: Plug into a grounded 3 prong 20 amp outlet.

Gas Models (In the U.S.A. and Canada):

- Plug into a grounded 3 prong outlet.

All Models (In the U.S.A. and Canada):

- Check that the water faucets are on.
- Check for leaks around faucets and inlet hoses.
- Remove the film on the console and any tape remaining on the washer/dryer.
- Read the Washer/Dryer Use and Care Guide.
- Wipe the dryer drum interior thoroughly with a damp cloth to remove any dust.
- To test the washer, measure 1/2 the normal recommended amount of detergent and pour it into the washer. Close the lid. Select Heavy Duty or Heavy (depending on model) and push START/PAUSE. Allow the washer to complete one whole cycle.
- To test the dryer, set the dryer on a full heat cycle (not an air cycle) for 20 minutes and start the dryer.

If the dryer will not start, check the following:

- Controls are set in a running or On position.
- Start button has been firmly pushed.
- Washer/dryer is plugged into a grounded outlet.
- Electrical supply is connected.
- Household fuses are intact and tight, or circuit breakers have not tripped.
- Dryer door is closed.

- When the dryer has been running for 5 minutes, open the dryer door and feel for heat.

If you do not feel heat, turn off the dryer and check the following:

- Electric dryers: There may be two household fuses or circuit breakers for the dryer. Check that both fuses are intact and tight, or that both circuit breakers have not tripped. If there is still no heat, contact a qualified technician.
- Gas dryers: Check whether the gas supply line shut-off valve is open. If it is closed, open it, then repeat the 5-minute test as outlined above. If it is open, contact a qualified technician.

NOTE: On electric models, you may notice an odor when the dryer is first heated. This odor is common when the heating element is first used. The odor will go away.