



CITY OF SAINT PAUL

375 Jackson Street, Suite 220
St Paul, Minnesota 55101-1806

Telephone: 651-266-8989
Facsimile: 651-266-9124
Web: www.stpaul.gov/dsi

June 19, 2018

LOWERTOWN COMMONS
300 4TH ST E
ST. PAUL MN 55101

CORRECTION NOTICE - COMPLAINT INSPECTION

RE: 250 5TH ST E
Ref. # 63032

Dear Property Representative:

An inspection was made of your building on June 18, 2018 in response to a referral. You are hereby notified that the following deficiency list must be corrected immediately.

A re-inspection will be made on July 18, 2018.

Failure to comply may result in a criminal citation or revocation of the Certificate of Occupancy. The Saint Paul Legislative Code requires that no building shall be occupied without a Certificate of Occupancy. The code also provides for the assessment of additional reinspection fees.

DEFICIENCY LIST

1. Interior - Throughout - MMC 504.1 - Clothes dryers shall be exhausted in accordance with the manufacturer's instructions. Dryer exhaust systems shall be independent of all other systems and shall convey the moisture and any products of combustion to the outside of the building. Replace dryer ducts under permit in an approved manner in all units that do not vent to the outside.

Saint Paul Legislative Code authorizes this inspection and collection of inspection fees. For forms, fee schedule, inspection handouts, or information on some of the violations contained in this report, please visit our web page at: <http://www.stpaul.gov/cofo>

You have the right to appeal these orders to the Legislative Hearing Officer. Applications for appeals may be obtained at the Office of the City Clerk, 310 City Hall, City/County Courthouse, 15 W Kellogg Blvd, Saint Paul MN 55102 Phone: (651-266-8585) and must be filed within 10 days of the date of the original orders.

If you have any questions, email me at: david.smith@ci.stpaul.mn.us or call me at 651-266-8995 between 7:30 a.m. - 9:00 a.m. Please help to make Saint Paul a safer place in which to live and work.

Sincerely,

David Smith
DSI Fire Safety Inspector

Ref. # 63032



Questions? Comments? (800) 570-3355

Orders over \$499 Free Delivery Nationwide

Search



- Cooking
- Refrigerators
- Dishwashers
- Washers & Dryers
- Air Conditioners
- Outdoor
- Sinks & Faucets
- Home Essentials
- Packages
- Brands
- On Sale!

Black November Savings Event, Up to 50% off

PLUS: 18 Month Interest Free Financing at \$1.999 on Select Brands

SHOP SAVINGS

Home > Laundry > Laundry Centers > WET4024HW

**This is what we are installing*

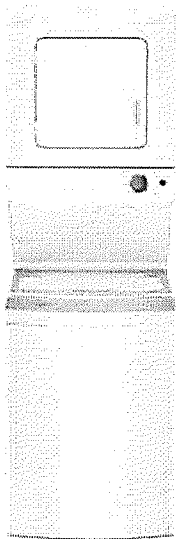


Image Disclaimer



AUTHORIZED DEALER

This item qualifies for free delivery!

Ends 11/07

List Price: \$1,499.00

SALE PRICE: \$994.00

You save \$505.00 (34%)

Qty

1

ADD TO CART

Lower Price in Cart - Ends Today!

Price Match Guarantee

Protect Your Investment

- 3 Year In Home Service +\$179.00
- 5 Year In Home Service - 50% Cash Back! +\$279.00
- Decline Protection

Whirlpool WET4024HW
24 Inch Electric Laundry Center

◆ 1.6 cu. ft. Washer ◆ 6 Wash Cycles ◆ 3.4 cu. ft. Dryer

★★★★☆ 4.5 Average rating of 27 reviews

product highlights



Stainless Steel Drum



Sensor Dry



Energy Star Rated

quick specs

Dimensions

Width: 23 7/8 Inch

Depth: 26 5/8 Inch

Height: 74 1/4 Inch

Washer Capacity: 1.6 Cu. Ft.

Ft.

Dryer Capacity: 3.4 Cu. Ft.

View more >

Product Information

Brand: Whirlpool

Model: WET4024HW

Appearance

Fuel Type: Electric

Color: White

Dimensions

Width: 23 7/8 Inch

Depth: 26 5/8 Inch

Height: 74 1/4 Inch

Washer Capacity: 1.6 Cu. Ft.

Dryer Capacity: 3.4 Cu. Ft.

Features

Control Type: Digital and Knobs

Wash Cycles: 6

Washer Temperature Settings: 5

Maximum Spin Speed (RPM): 850

Soak Setting: No

Bleach Dispenser: Yes

Fabric Softener Dispenser: Yes

From the Manufacturer

Whirlpool 24" Electric Laundry Center

The perfect solution to small spaces, this Whirlpool combination washer/dryer is designed to fit where you need it and still deliver high-efficiency cleaning performance. The 1.6 cu. ft. capacity washer and 3.4 cu. ft. capacity electric dryer deliver the space to easily wash the essentials and everyday loads. The smooth wave stainless steel wash basket helps prevent fabrics from snagging, gently guiding clothes throughout the cycle. Available at AJ Madison.

About Whirlpool

At Whirlpool, advanced performance means getting great results while using less water and energy. Their ENERGY STAR qualified appliances deliver eco-efficient operation that exceeds the toughest government standards. Whirlpool is dedicated to making guesswork a thing of the past. Every detail is attended to. Every machine is designed to help you manage your home precisely the way you want-easier, faster and smarter.

Specifications

Features

Reviews

Features

1.6 cu. ft. Washer Capacity

- Wash the essentials with 1.6 cu. ft. capacity.

3.4 Cu. Ft. Dryer Capacity

- Conveniently dry everyday loads with 3.4 cu. ft. capacity.

4 Drying Cycles

- Choose the right setting for each load when you dry with Normal, Delicate, Air Only or Timed Dry cycles.

Manuals & Guides

[Use & Care](#)

[Install guide](#)

[Energy Guide](#)

Need help?

We are here!

START CHAT



Phone Orders: 1-800-431-3000 Website Help: 1-877-694-4932

Hello, Angie Matuzak
Account # 6054894
Account ▾

Home / Indoor Lint Trap Kit

You have purchased this product on Sep 4, 2018.
[View purchase history](#)

** We install these with every dryer and fill with water while conducting PM's these are checked, cleaned/repared as needed **



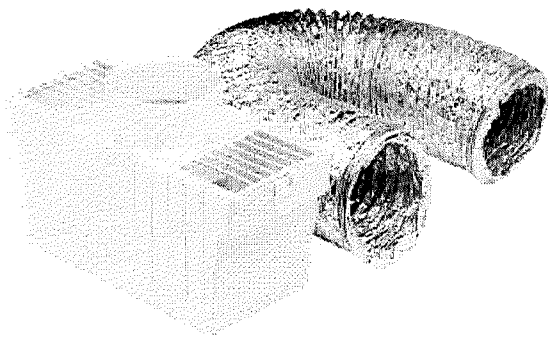
[Details](#) [Purchase History¹](#)

Indoor Lint Trap Kit

Part #: 197027 Brand: Deflect-O

Deflect-O® Lint Trap Kit - For Use With Indoor Dryer Vent - Swirling Action Of Water-Filled Canister Promotes Lint Accumulation - Not Recommended For Gas Dryers - Mfg #LTF

*3**



List Price: ~~\$44.95~~

Sale Price: \$11.59

QTY

1

[Add to Cart](#)

[Add to List](#)

[Add to Quote](#)

[Quick Checkout](#)

[Check Stock](#)

FREE SHIPPING

in lower 48 states

More Product Information

[Product Details](#)

NEXT-DAY DELIVERY*

HASSLE-FREE RETURNS

Customers Who Viewed This Item Also Viewed



8' Flex Aluminum Dryer Vent Kit

Part # 197138



8' Multi-Ply Flexible Duct

Part # 197205



Dryer To Vent Hookup Kit

Part # 197220



Semi-Rigid Flexible Duct

Part # 197105



Washing Machine Lint Trap, Package Of 10

Part # 500762



GE Dryer Vent

Part # 209644

- Make & Model
- Specifications
- Packaging Dimensions
- Assembled Dimensions
- Product Features
- Certification & Standards

Product Details

Make & Model	
UNSPSC	47121802
Brand	Deflect-O
Manufacturer Part Number	LTF

Specifications	
Country of Origin	USA
Made in the USA	Yes

Customers Who Purchased This Item Also Purchased



Flexible Drain And Trap Connector 1-1/2 x 1-1/2 Or 1-1/4

Part # 799296

Brand: Maintenance Warehouse

QTY



Packaging Dimensions

Depth	6.7 in
Height	5.2 in
Weight	1.17 lb
Width	11.25 in

Assembled Dimensions

Product Features

FOB	No
JWOD	No
Manufacturer Name	Deflecto
TAA/BAA	Yes
UPC Code	079916501000

Certification & Standards



ADA Approved	No
GSA Approved	No
UL Listed	No

1 **Add to Cart**

Add to List

Add to Quote

Maintenance Warehouse®
Stainless Steel
Faucet Supply
Line 30" 3/8
Comp x 1/2 FIP

Part # 403338

Brand: Maintenance Warehouse

QTY

1 **Add to Cart**

Add to List

Add to Quote

Maintenance Warehouse®
Stainless Steel
Toilet Supply 12"
3/8 Comp x 7/8
Ballcock

Part # 403359

Brand: Maintenance Warehouse

QTY

1 **Add to Cart**

Add to List

Add to Quote

Maintenance Warehouse®
Jumbo Duplex
Receptacle Wall
Plate - White
Package Of 10

Part # 336035

Brand: Maintenance Warehouse

QTY

1 **Add to Cart**

Add to List

Add to Quote

Maintenance Warehouse® 9
Volt Alkaline
Battery,
Package Of 24

Part # 294345



SEARCH :

Keyword:

Category: ▾



LINKS :

- » [Payment Methods](#)
- » [Click & Quick](#)
- » [Square Duct](#)
- » [Instructions - Indoor Lint Trap Kit](#)
- » [Instructions - 3 Louver Vent Kit](#)
- » [Instructions - Wide Mouth Vent Kit](#)

CATEGORIES :

- [Space Savers](#)
- [Dryer Vent Duct](#)
- [Indoor Dryer Vent Kit - Lint Trap](#)
- [Dryer Vent Kit](#)
- [Dryer Vent Accessories](#)
- [Click and Quick Easy Install](#)



Instructions - Indoor Lint Trap Kit

Instructions - Indoor Lint Trap Kit.

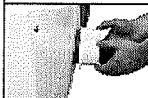
When venting your dryer to the outside of your home is not an option, an indoor lint trap is the solution.



Pour 2" inches of cold water into base of lint trap to water line



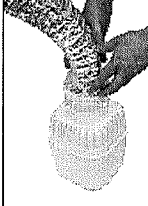
Attach lid of Lint Trap to base and click to secure



Place the Click & Quick™ dryer adapter over the dryer exhaust outlet



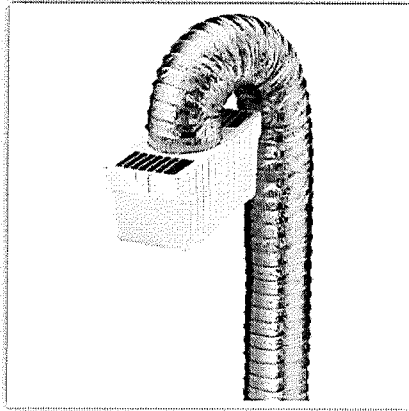
Connect the duct with the Click & Quick™ adapter to the Click & Quick™ dryer adapter



Connect the duct with the Click & Quick™ adapter to the Click & Quick™ Lint Trap adapter

- All Products
- New Products
- Dryer Venting
- General Venting
- Kitchen Venting
- Suspended Ceiling Venting
- Duct
- Hoods/Vents
- Air Deflectors / Vent Covers
- Registers / Diffusers
- Storage
- Accessories

[Air Distribution](#) | [Venting](#) | [Dryer Venting](#) | [Lint Trap Kit](#)



Like | Tweet | Share 51

Lint Trap Kit

Item Number: LTF

Product Description:

Lint Trap, Supurr-Flex® Metallic Duct, 2 Clamps

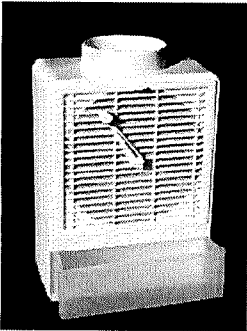
Color: Aluminum/White Plastic

Features:

- For indoor dryer venting
- Quick, easy installation
- Not recommended for gas dryers
- Supurr-Flex® metallic duct

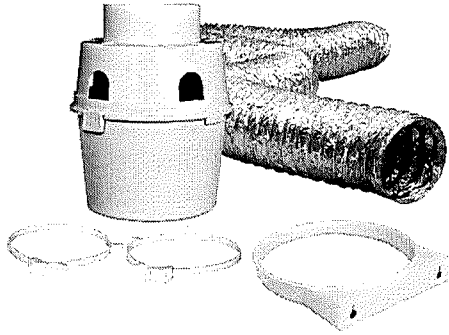
Lint Trap Filter

Maintaining Unit:



- 1.) Fill drawer with water. **Note:** Always retain some water in the drawer prior to use. When water is low clean and refill the drawer with fresh water.
- 2.) Turn the crank on the filter periodically to keep it from lint build-up. **Note:** Do this only after dryer has stopped.
- 3.) All parts can be cleaned with soap and warm water.
- 4.) If dryer is in a confined area, open doors to allow moisture to escape.

Home / Outdoors / Garden Center / Hydroponic Gardening / Grow Tents & Accessories / Grow Room Ventilation
Model # TDIDVKHD6 Internet #203626526 Store SKU #612928 Store SO SKU #1001496015



Share Save to Favorites Print

Exclusive

Everbilt

Indoor Dryer Vent Kit

★★★★☆ (157) Write a Review Questions & Answers (30)

- Vents electric dryers indoors when outdoor venting isn't possible
- Ideal for apartments, condos and R.V.s
- Includes duct, 2 clamps, lint reservoir and mounting ring

\$13⁹⁸ /each

Quantity

Pick Up In Store Today

Add to Cart

6 in stock at Maplewood

Aisle 12, Bay 017 Text to Me

Check Nearby Stores

We'll Deliver It to You

Add to Cart

Free Delivery on \$45 order

Order within 7 mins to get it by **November 10**

Get it tomorrow for as low as \$8.99. Delivery Options

Or buy now with

We're unable to ship this item to:
AK, GU, HI, PR, VI More

Easy returns in store and online
Learn about our return policy

Product Overview

The Indoor dryer vent kit can be used to vent your Electric Clothes Dryer indoors when outdoor venting is not possible. The kit includes a 4 in. x 5 ft. dryer transition duct, plastic lint reservoir, a plastic mounting ring (optional use) and 2 plastic adjustable clamps. This kit is ideal for apartments, condominiums and RVs.

- Plastic lint reservoir should be filled with water before each load
- For electric clothes dryer venting only, not for use with gas clothes dryer applications
- Optional mounting ring is included so reservoir can be secured at an easy to reach height on the wall
- Lint should be removed after each load

Specifications

Dimensions

Product Depth (in.)

6.12

Product Diameter (in.)

4.0 in

Product Height (in.)

7.04

Product Length (in.)

60

Product Width (in.)

6.12

Details

Color

Kit

Insulated

No

Material

Plastic

Maximum air flow (CFM)

0

Returnable

90-Day

Warranty / Certifications

Certifications and Listings

No Certifications or Listings

How can we improve our product information? Provide feedback.



** This is what is given and gone over with every new move in **



Dryer Use & Care

Dryer has an external lint trap (small white box). Fill this lint trap with 1-2 inches of water to keep lint inside of box. Please check and refill and clean consistently to ensure proper use.

Garbage Disposal Care & Use

While your disposal is operating, always keep the cold water running. To deodorize the disposal, insert orange or lemon peels. **Do not use drain cleaning chemicals** in your disposal. Avoid putting these things down your garbage disposal to help keep it running smoothly.

Fibrous foods

The strings of celery, artichokes, asparagus, lettuce, corn husks, carrots, onion skins and potato peels can wrap around the blades, preventing proper operation of the motor. If you feel you must put fibrous foods into your disposal, do so in very small quantities, and run the cold water before, during and after operating the unit.

Grease, fats and oils

Greasy foods will distribute a film over the blades, diminishing their effectiveness. Eventually, the grease will begin to decay, causing an unpleasant odor. Pouring grease into a garbage disposal can result in clogged drains when the grease solidifies.

Egg shells

Some people claim that egg shells sharpen the blades of the unit, but this is not true. The shells' stringy membrane layers can wrap around the shredder ring, and the shell itself will be ground to a sand-like consistency capable of clogging pipes.

Pasta, rice, potatoes, potato peelings, beans and coffee grounds

Even small particles of these foods will swell with water to form a paste-like substance, and eventually clog the trap.

Non-food items

Avoid the example of homeowners who have placed rubber bands, twist ties, cigarette butts, pull tabs, fabric, sponges and plant clippings into their disposal units. These items cannot break down enough to wash down the drain.



The appliance & cabinet destination.

185 W. Plato Blvd, St. Paul, MN 55107
 (651) 227-6331 Fax (651) 292-0541

PRICE QUOTATION

Prepared for: Real Estate Eq

Prepared by: ALL, Inc. Account Manager
Brian Linscheid

Project Name: Lowertown/ Parkside- Ventless Laundry

Quote Number: _____
 Date: _____
 Expiration Date: 12/31/2018
 Delivery On/Before: 12/31/2018
 Payment Terms: Net 30

ALL, Inc. is pleased to submit the attached Price Quotation on the merchandise listed, subject to terms and conditions. Prices quoted are for models specifically stated and do not apply to new or substituted models.

QTY	MODEL	DESCRIPTION	UNIT PRICE	EXT PRICE
53	WM1388HW	2.3 Cu Ft, Compact Washer-Hoses included	\$635.00	\$33,655.00
53	DLEC888W	4.2 Cu Ft, Compact Electric Dryer	\$635.00	\$33,655.00
53	Dryer Cord	Must Specify 3 or 4 prong cord (Attached)	\$18.00	\$954.00
				\$0.00
	Delivery To Unit	Boxed delivery to unit	\$0.00	\$0.00
		Removal of Old	\$0.00	\$0.00
				\$0.00
				\$0.00

Delivery Includes: Uncrate and Set of Refrigerator, Range, Washer and Dryer
 Installation of Anti Tips and Over the Range Microwaves
 Spread of: Hood, Dishwasher, Disposer

Subtotal	\$68,264.00
Delivery	\$0.00
Tax Rate	7.875%
Tax	\$5,375.79
Total:	\$73,639.79

Laundry to be stacked: INSTALLED BY OTHERS

Waser Hoses, Venting, Dishwasher, Microwave, Hood, Disposer-**TO BE INSTALLED BY OTHERS***

A lift must be provided above 1st floor at no additional charge

**Quote for ventless dryers*

LG LAUNDRY

DLEC888W

24" 4.2 cu.ft. Compact Electric Condensing Dryer

- 4.2 cu.ft. Capacity
- 24" Wide Compact Electric Condensing Dryer
- 14 Dryer Programs
- 10 Options
- Sensor Dry System
- NFC Tag On
- Wrinkle Care Option
- Delicates Cycle
- Stackable with Matching Washer (WM1388HW)
(Stacking Kit is included with the product)


CAPACITY

Capacity 4.2 cu. ft.

APPEARANCE

Design Look Front Control Panel

Intelligent Electronic Controls with Touch LED Display -

Dial-A-Cycle -

DRYER PROGRAMS

No. of Programs 14

Programs (Sensor Dry) Cotton, Mixed Fabric, Easy Care, Bulky Item, Jeans, Skin Care, Quick Dry

Sports Wear, Delicate, Wool, Download Cycle

Programs (Manual Dry) Cool Air, Gentle Air, Warm Air

No. of Options 10

Options Gentle, Damp Dry Beep, More Time, Less Time, Time Delay, Custom Program

Wrinkle Care, Drum Light, Child Lock, Time Dry

Temperature Settings High, Medium High, Medium, Low, Ultra Low

Drying Levels Very Dry, More Dry, Normal Dry, Less Dry, Damp Dry

Manual Dry Times 60 min., 20 min., More Time/Less Time

CONVENIENCE FEATURES

End of Cycle Signal -

Drum Light -

Leveling Legs 4 Adjustable Legs

Remaining Time Display/Status Indicator(s) -

SMART THING™ TECHNOLOGY

NFC Tag On -

SmartDiagnosis™ -

MATERIALS AND FINISHES

NeveRust™ Stainless Steel Drum -

Tub Rear -

Cabinet PCM

Control Panel Plastic

Door/Rim Glass/Chrome

Door Cover Black Tint Cover

Available Colors White (W)

POWER SOURCE

Ratings TBD

Electrical Requirements 240V, 30 Amps (Electric)

Type Electric (product rating label 13A)

ACCESSORIES

Stacking Kit (Comes with Dryer) 5001EL2001H

DIMENSIONS

Product (WxHxD) 24" x 33 1/2" x 25 1/4" (45" D with door open)

Carton (WxHxD) 26" x 35 3/4" x 27 3/4"

Weight (Product/Carton) Electric 105 lbs / 115 lbs

LIMITED WARRANTY

1 Year Parts and Labor

UPC CODES

DLEC888W Dryer (White) 048231 018371

WM1388HW Washer (White) 048231 016971



OWNER'S MANUAL DRYER

Please read this manual carefully before operating your dryer and retain it for future reference.

DLEC888W
DLEC888R




MFL67653090

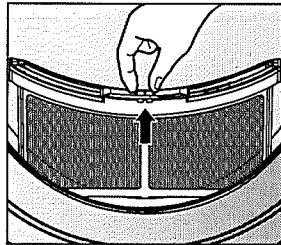
www.lg.com

Caring For Your Dryer

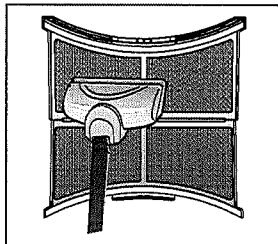
Clean lint filter

To maintain proper air flow and keep your dryer operating at peak efficiency, it is important to empty the lint filter between every load. If the Clean Filter () light comes on during a cycle and the beeper sounds, pause the dryer and empty the filter immediately.

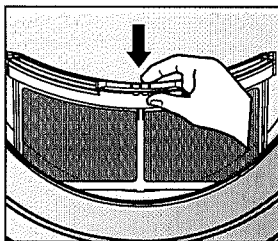
1. Open the door.
2. Pull the filter out.



3. Open the filter and use your fingers to roll the lint off the screen surfaces. If the lint is difficult to remove or the filter material is showing signs of clogging, follow the cleaning instructions below.




4. Snap the filter closed and replace it in the dryer.
 - Push the filter all the way down to avoid interference with the door



5. Close the door.

Wash the lint screen in warm, soapy, water. Dry thoroughly and replace.

Clean lint filter during a cycle

If the Clean Filter () light flashes and the alarm sounds during operation, clean the filter promptly.

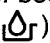
1. Press the **Power** button to stop the dryer. Then press it again to turn the dryer on.
2. Turn the Cycle Selector Knob to select the Cool Air cycle.
3. Press the **Start/Pause** button to start the dryer.
4. Let the Cool Air cycle run for 5 minutes to cool the dryer, then open the door and clean the lint filter.

Note

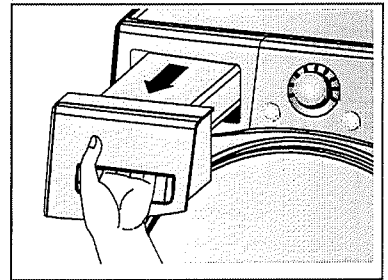
If the dryer is stopped in the middle of a cycle, the lint filter may be very hot. Failure to follow these cool down instructions could result in injury.

Empty water container

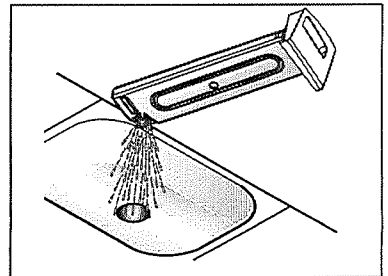
If your dryer is not connected to a household drain, then the water reservoir will capture the water from the drying process. This should be emptied every load. Failure to do so may result in poor drying performance.

If the container becomes full during a cycle, the Empty Water () light and alarm will be activated. In this case, the water reservoir should be emptied immediately, but in no case should it continue to be used for more than 1 hour.

1. Using the handle on the front of the drawer, pull out the reservoir.



2. Using the handle on the front of the drawer, pull out the reservoir.




3. Drain the water into a sink.

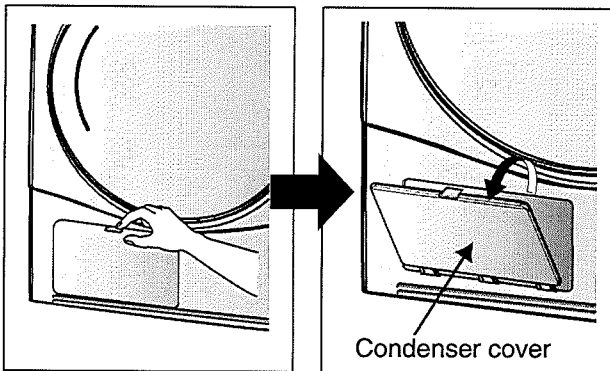
4. Press the **Start/Pause** button to resume the cycle.

Caring For Your Dryer

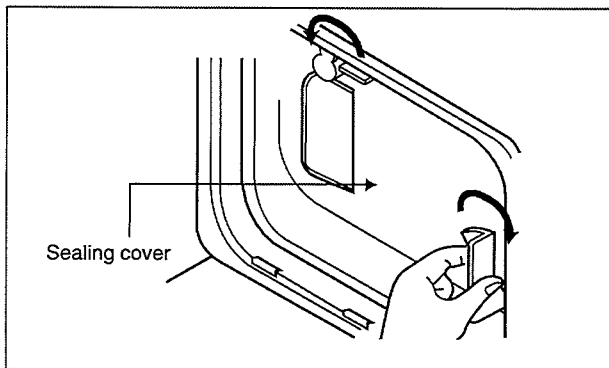
Condenser

The condenser is a very important part of your dryer. This is where the moisture is removed from the air so there is no need for an outside exhaust. If the condenser is not properly maintained, it will greatly increase energy consumption and drying time. The condenser should be cleaned 3 or 4 times a year, or any time the Clean Condenser () light blinks.

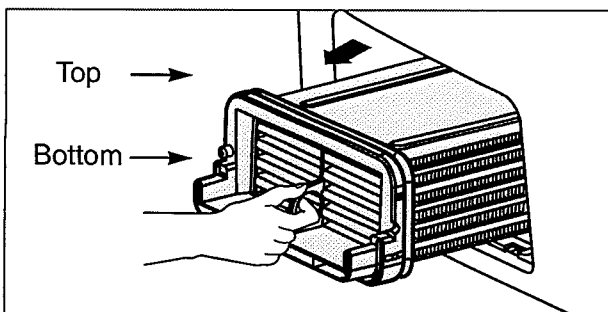
1. Push the tab and open the condenser cover.



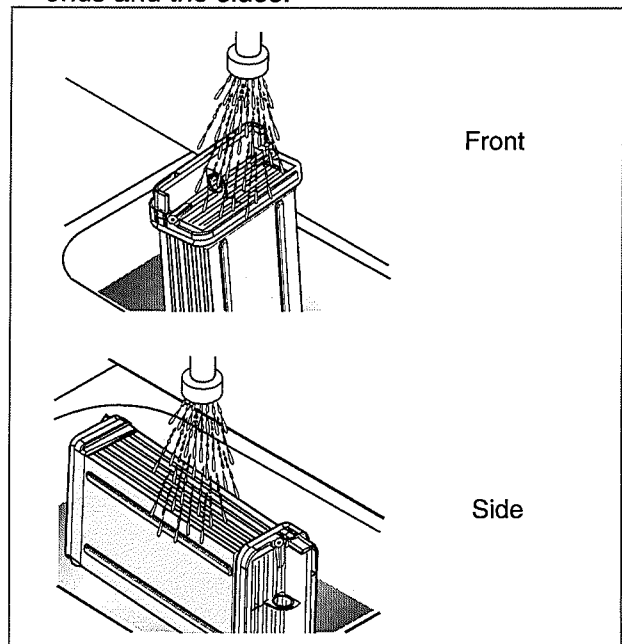
2. Unlock the inner plate by rotating the locking levers on either side of the plate. Then slide the plate out of the opening.



3. Carefully slide the condenser straight out of the housing using the finger ring at the center. Use care when handling the condenser to prevent damage that could reduce its efficiency.



4. Thoroughly clean the condenser by running tap water through it from both the ends and the sides.



5. Slide the clean condenser into the housing. Make sure it is oriented as shown in the drawing in step 3.
6. Insert the inner plate into the opening in front of the condenser, then rotate the locking tabs to lock it in place. Then close the front cover.

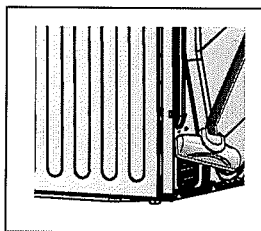
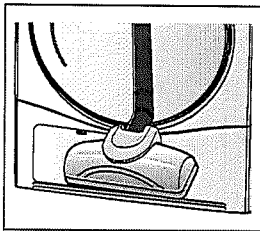
CAUTION

- NEVER operate the dryer without the condenser in place.
- Do not operate the dryer with a dirty or clogged condenser. Doing so will increase energy consumption and drying times.
- Handle the condenser with care. Do not use sharp or hard objects to clean the condenser as this could damage the condenser.
- Do not operate the dryer with a damaged condenser. Doing so could result in leaking which may result in property damage.

Caring For Your Dryer

Ventilation Grille and Cool Air Inlet Grille

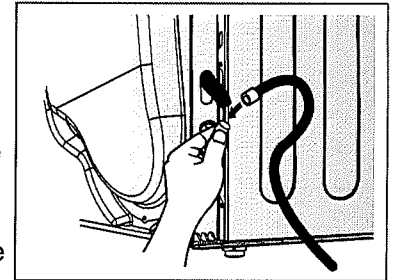
Use a vacuum cleaner to clean the front ventilation grill and the cool air inlet in the back. Failure to remove any lint or dirt buildup will reduce air flow and increase energy consumption and drying times.



Note

The warm air is exhausted through the ventilation grill.

3. Connect the external drain hose included with the dryer. Route this hose to a permanent drain and secure the hose so it can not come loose.



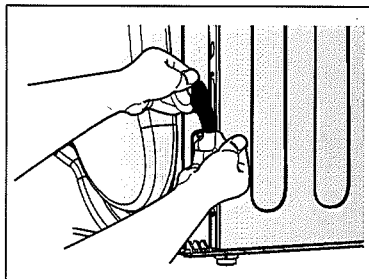
Moisture Sensor

This sensor is used by the control to sense the moisture remaining in the clothes. If the sensor becomes dirty or coated the control will not be able to sense the moisture and the dryer will shut off before the clothes are dry. Clean the sensor bars as shown below to maintain optimum performance of the SENSOR DRY cycles.

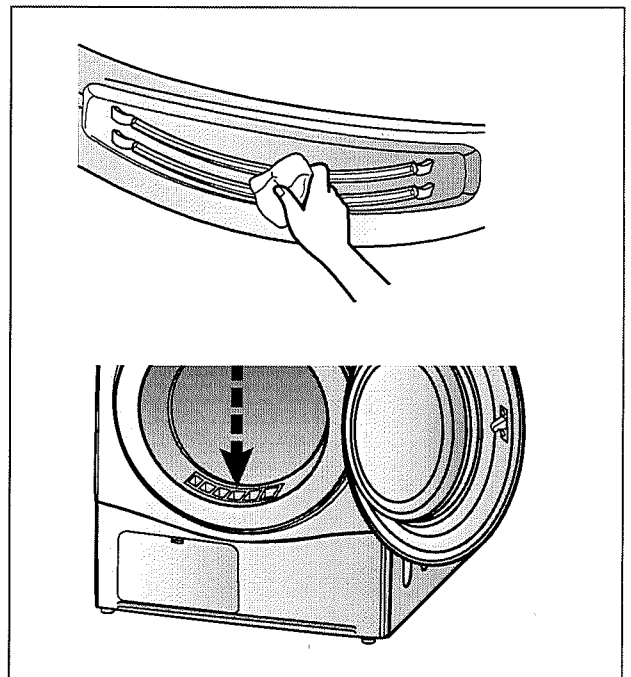
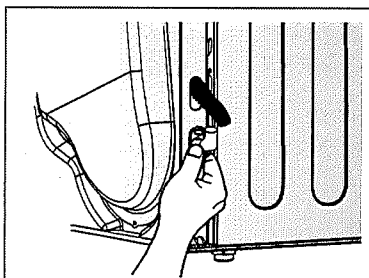
Condensed Water Drain

Condensed water is pumped to the reservoir which must be emptied every load. If a household drain is available, this water can be pumped down the drain so the reservoir is not used.

1. Slide the drain connection out the opening located on the back of the dryer on the right side as you face the rear of the dryer.



2. Disconnect the hose that goes up to the reservoir.

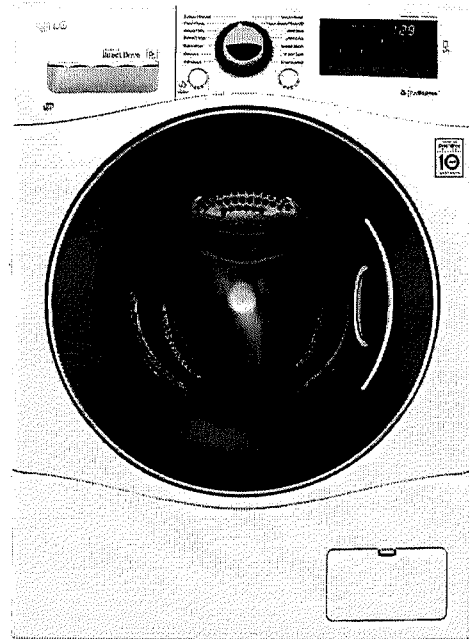


LG LAUNDRY

WM1388HW

2.2 cu.ft. Compact Front Load Washer

2.3 cu.ft. Capacity
Compact Front Load Washer
14 Wash Programs
1,400 RPM
Internal Heater
NFC Tag On
ENERGY STAR® Qualified



CAPACITY	
Capacity	2.3 cu. ft.
ENERGY	
ENERGY STAR® Qualified	•
APPEARANCE	
Design Look	Front Control
Touch LED Display	•
Dial-A-Cycle™	•
WASH/DRY PROGRAMS	
No. of Programs	14
Wash Programs	Cotton/Normal, Bulky/Large, Baby Wear, Perm. Press, Delicates, Hand Wash/Wool, Speed Wash, Tub Clean, Sanitary, Heavy Duty, Drain+Spin, Color Care, Sports Wear, Downloaded Course
No. of Options	10
Options	Prewash, Rinse+Spin, Delay Wash (Time Delay), Water Plus, Extra Rinse, Child Lock, Signal (Beeper) On/Off, Custom PGM, PGM Save, Signal
No. of Wash/Rinse Temps	5
	Extra Hot, Hot, Warm, Cold, Tap Cold (All Cold Rinses)
Spin Speeds	Extra High (1,400 max.), High, Medium, Low, No Spin
No. of Water Levels	Automatically adjusts to the size of load
No. of Soil Levels	3
Internal Heater	•
CONVENIENCE FEATURES	
TrueBalance™ Anti-Vibration System™	•
4 Tray Dispenser	•
LoDecibel™ Quiet Operation	•
End of Cycle Beeper	•
LoadSense	•
Forced Drain System	•
SMART THING™ TECHNOLOGY	
SmartDiagnosis™	•
NFC Tag On Technology	•

MOTOR AND AGITATOR	
Motor Type	Inverter Direct Drive Motor
Motor Speed	Variable
Max RPM	1,400
Axis	Horizontal
MATERIALS AND FINISHES	
NeverRust™ Stainless Steel Drum	•
Cabinet	PCM
Control Panel	Plastic
Top Plate	TBD
Door Rim	Glass/Chrome
Door Cover	Black Tinted Cover
Door Opening	13.8"
Available Colors	White (W)
POWER SOURCE	
Ratings	TBD
Electrical Requirements	120V, 10 Amps
Type	Electric
ACCESSORIES	
Hose Included	•
DIMENSIONS	
Product (WxHxD)	24" x 33 1/2" x 25 1/4" (45" D with door open)
Carton (WxHxD)	26" x 35 3/4" x 27 3/4"
Weight (Product/Carton)	147.7 lbs / 156.5 lbs
LIMITED WARRANTY	
	1 Year Parts and Labor, 10 Years Motor, Lifetime on Drum
UPC CODES	
WM1388HW Washer (White)	048231 016971
DLEC888W Dryer (White)	048231 018371