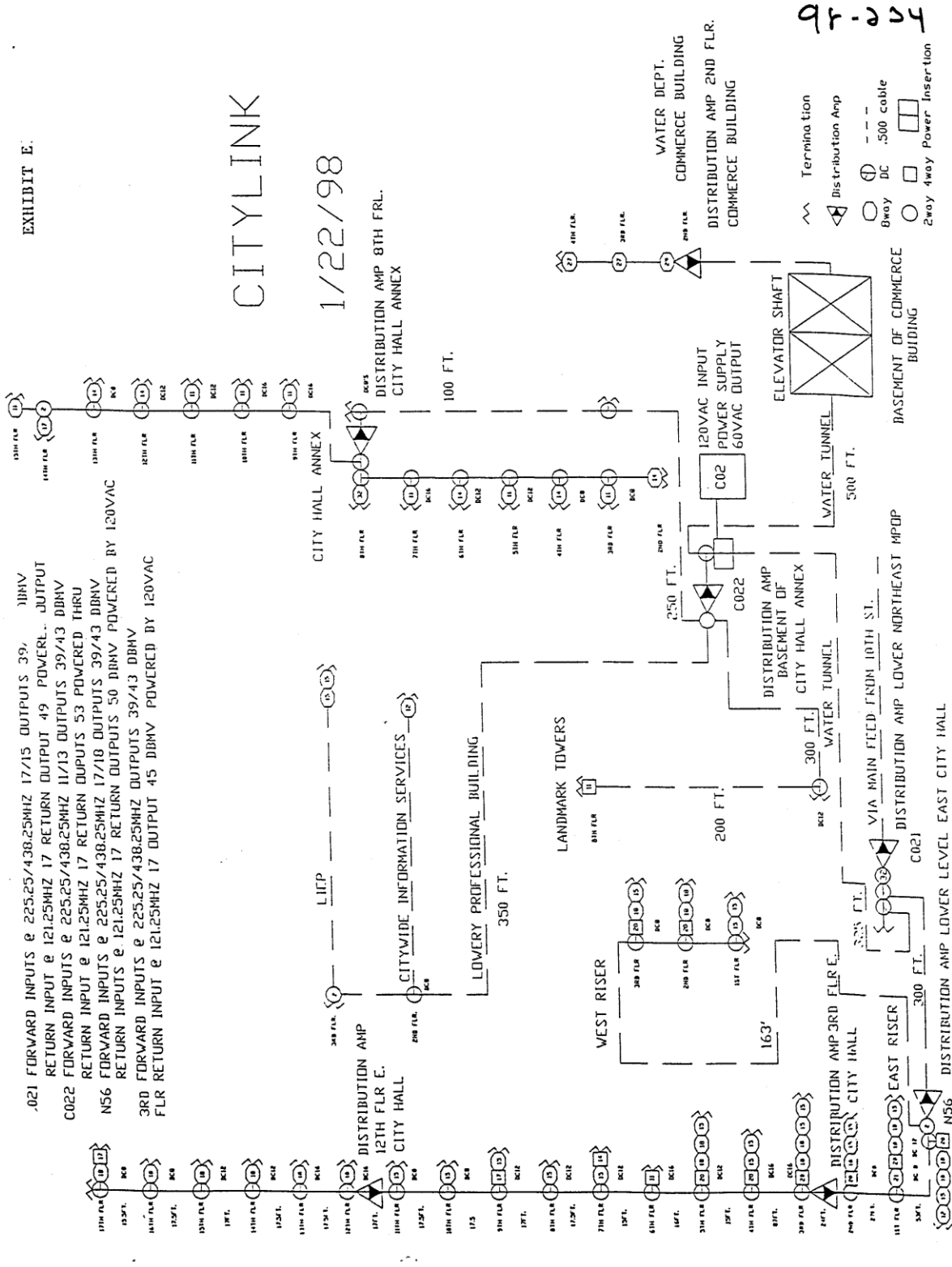


EXHIBIT E.

# CITYLINK

1/22/98



95-204

.021 FORWARD INPUTS @ 225.25/438.25MHZ 17/15 OUTPUTS 39, 10MV  
 RETURN INPUT @ 121.25MHZ 17 RETURN OUTPUT 49 POWERL. OUTPUT  
 C022 FORWARD INPUTS @ 225.25/438.25MHZ 11/13 OUTPUTS 39/43 DBMV  
 RETURN INPUT @ 121.25MHZ 17 RETURN OUTPUTS 53 POWERED THRU  
 N56 FORWARD INPUTS @ 225.25/438.25MHZ 17/18 OUTPUTS 39/43 DBMV  
 RETURN INPUTS @ 121.25MHZ 17 RETURN OUTPUTS 50 DBMV POWERED BY 120VAC  
 3RD FORWARD INPUTS @ 225.25/438.25MHZ OUTPUTS 39/43 DBMV  
 FLR RETURN INPUT @ 121.25MHZ 17 OUTPUT 45 DBMV POWERED BY 120VAC

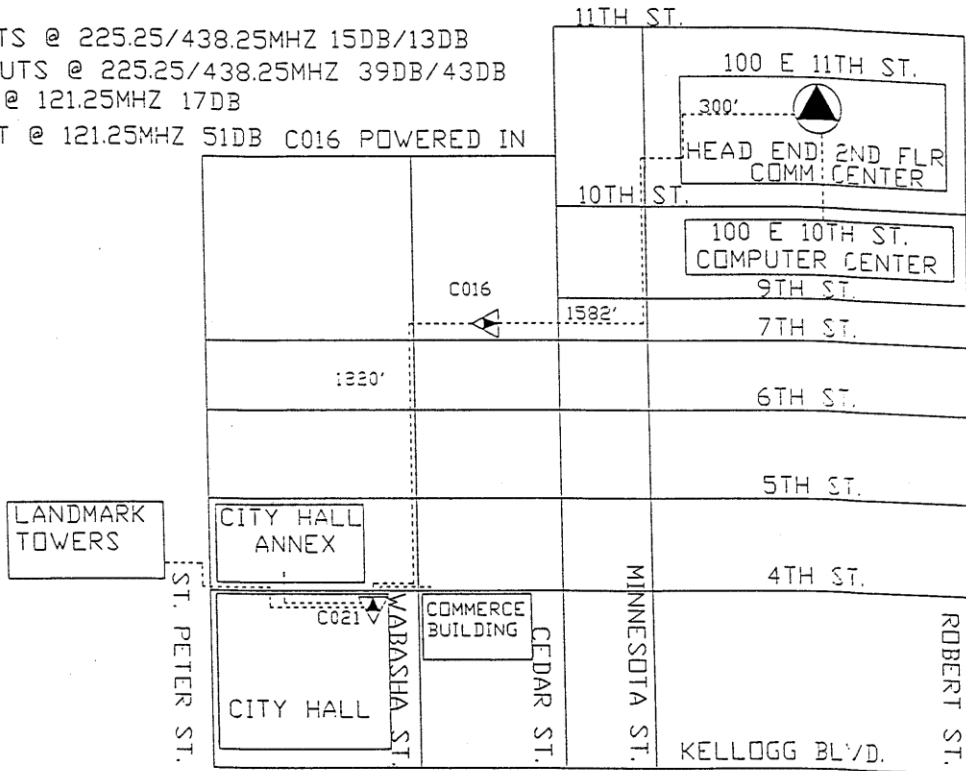
DISTRIBUTION AMP LOWER LEVEL EAST CITY HALL

97-234

EXHIBIT E2

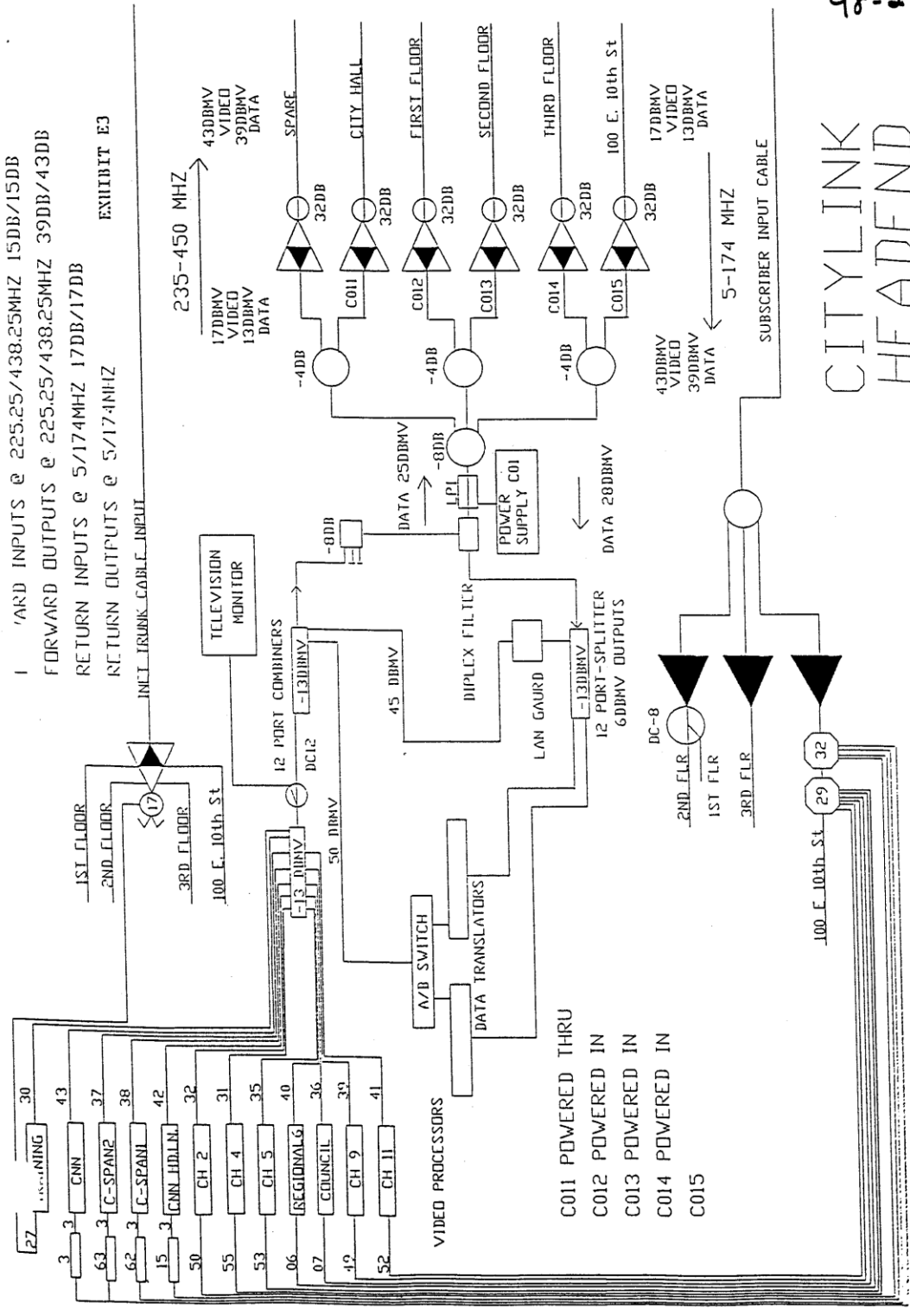
FORWARD INPUTS @ 225.25/438.25MHZ 15DB/13DB  
FORWARD OUTPUTS @ 225.25/438.25MHZ 39DB/43DB  
RETURN INPUT @ 121.25MHZ 17DB  
RETURN OUTPUT @ 121.25MHZ 51DB C016 POWERED IN

CITYLINK  
1/22/98



FORWARD INPUTS @ 225.25/438.25MHZ 15DB/15DB  
 FORWARD OUTPUTS @ 225.25/438.25MHZ 39DB/43DB  
 RETURN INPUTS @ 5/174MHZ 17DB/17DB  
 RETURN OUTPUTS @ 5/174MHZ

EXHIBIT E3



C011 POWERED THRU  
 C012 POWERED IN  
 C013 POWERED IN  
 C014 POWERED IN  
 C015

# CITYLINK HEADEND

98-234

Head End location = 100 E.11th St.  
 Public Safety Annex= 100 E.10th St.  
 1/22/98