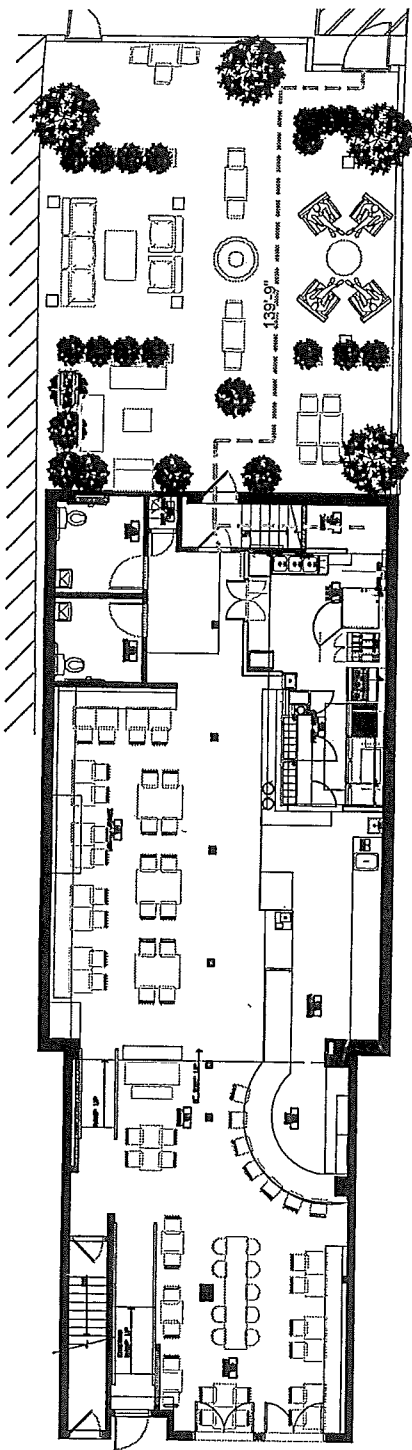


ROPOSED
WIDTH
7'-0"
IED
200'-0"
135'-9"

W. 1st St

6 MacMaster St

6 MacMaster St



3 FIRST FLOOR LIFE SAFETY PLAN

Scale: NTS

DOOR SCHEDULE

DR #	ROOM NAME	DOOR SIZE	DOOR			FRAME		HARDWARE	REMARKS
			TYPE	MATERIAL	FINISH	MATERIAL	FINISH		
100	EXISTING	EXISTING	-	-	-	-	-	EXISTING	
101A	PATIO	3'-0"X6'-0"	A	WD	ST	-	-	1	
101B	PATIO	4'-0"X6'-0"	A	WD	ST	-	-	1	

DOOR TYPE NOTES:

1. ALL EXIT DOORS SHALL BE OPERABLE WITHOUT THE USE OF A KEY OR ANY SPECIAL KNOWLEDGE OR EFFORT.
3. THE BOTTOM 10" OF ALL DOORS SHALL HAVE A SMOOTH, UNINTERRUPTED SURFACES.

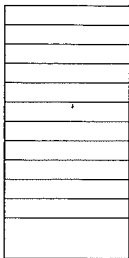
HARDWARE SCHEDULE

- EXIT DEVICE
- CONTINUOUS HINGE

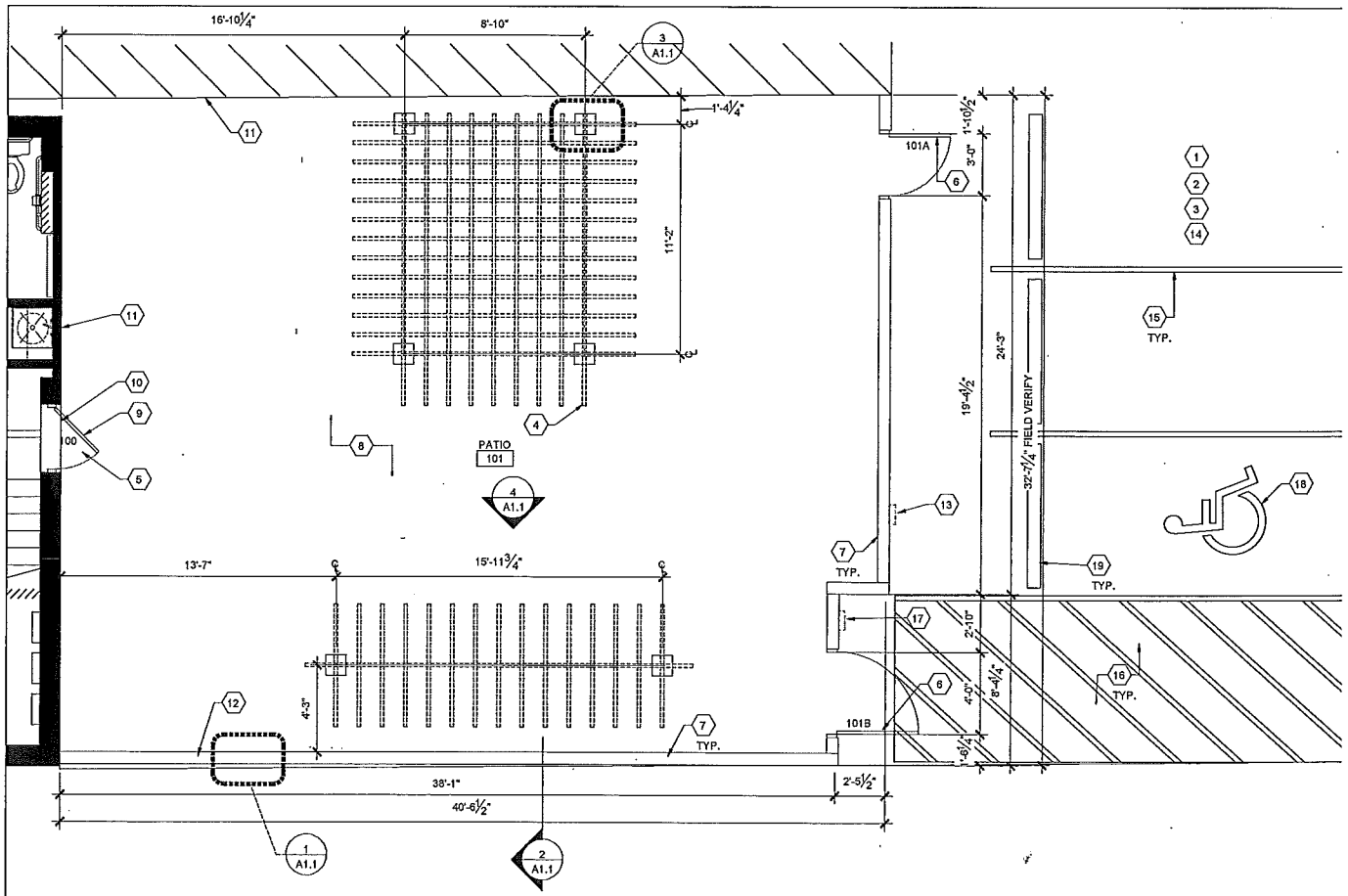
FINISH NOTES

1. ALL SURFACES RECEIVING STAIN TO BE PROPERLY PREPARED AND READY TO RECEIVE STAIN IN ACCORDANCE WITH MANUFACTURED PRINTED INSTRUCTIONS. WALLS TO BE FINISHED. ALL SURFACES SHALL BE CLEAN, FREE OF DUST, GREASE, OIL OR ANY FOREIGN SUBSTANCES THAT WILL INTERFERE WITH FINISH.
2. HOLES, CRACKS AND OTHER IMPERFECTIONS SHALL BE SUITABLE PATCHED AND FILLED WITH A COMPOUND RECOMMENDED BY THE MANUFACTURER OF THE STAIN AND THEN PRIMED, SURFACES SHALL BE BROUGHT TO TRUE, EVEN SURFACES PRIOR TO STAIN.
3. ADEQUATE NUMBER OF COATS TO BE APPLIED FOR COMPLETE COVERAGE.
4. APPLY IN ACCORDANCE WITH THE MANUFACTURED DIRECTION. USE APPLICATIONS AND TECHNIQUES BEST SUITED FOR THE TYPE OF MATERIAL BEING APPLIED. APPLY EACH MATERIAL AT NOT LESS THAN THE MANUFACTURERS RECOMMENDED SPREADING RATE. MATCH APPROVED SAMPLES FOR COLOR, TEXTURE AND COVERAGE.
5. STAINED WOOD SURFACES TO BE CLEANED OF ALL DIRT, OIL OR OTHER FOREIGN SUBSTANCES WITH SCRAPERS, MINERAL SPIRITS AND SANDPAPER AS REQUIRED. SANDPAPER SMOOTH THOSE FINISHED SURFACES EXPOSED VIEW, AND DUST OFF, SCRAPE AND CLEAN KNOTS AND APPLY A THIN COAT OF CLEAR SHELLAC BEFORE APPLICATION OF THE PRIME COAT. AFTER PRIMING FILL ALL HOLES WITH PUTTY OR PLASTIC WOOD FILLER, SANDPAPER SMOOTH WHEN DRY.
6. REMOVE ALL MISAPPLIED STAIN FROM ADJACENT SURFACES. DISPOSE OF EXCESS MATERIALS OFF JOB SITE.
7. ALL FINISHES TO MEET NFPA 101, LIFE SAFETY CODE 263.3 - INTERIOR FINISHES.
8. SUBMIT TWO (2) SETS OF 8 1/2 X 11 BRUSH OUTS OF ALL FINISHES FOR APPROVAL PRIOR TO APPLICATION.
9. ADDITIONAL STAIN SHALL BE PROVIDED FOR FUTURE OWNER USE.

DOOR TYPE



A 1X6 REDWOOD GATE - STAIN
Scale: 1/2" = 1'-0"



1 PATIO FLOOR PLAN

Scale: 1/4" = 1'-0"

