



CITY OF SAINT PAUL  
Christopher B. Coleman, Mayor

375 Jackson Street, Suite 220  
Saint Paul, Minnesota 55101-1806

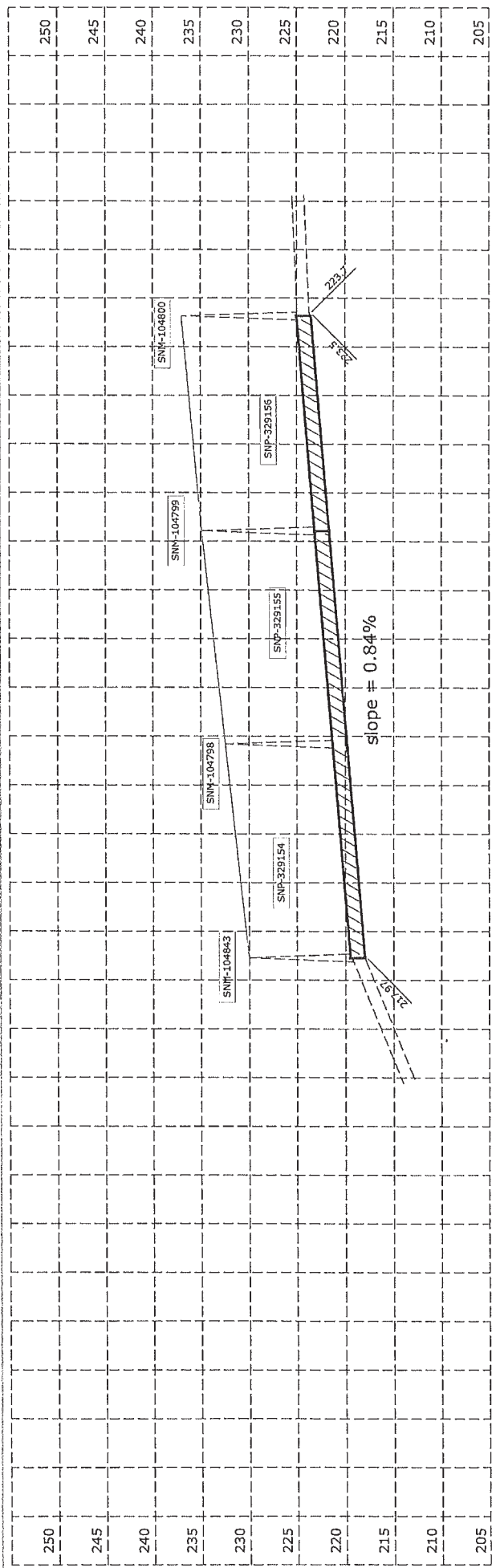
Telephone: 651-266-8989  
Facsimile: 651-266-9124  
Web: www.stpaul.gov/dsi

## Sound Level Variance Application

City of Saint Paul Noise Ordinance  
Chapter 293 of the Saint Paul Legislative Code

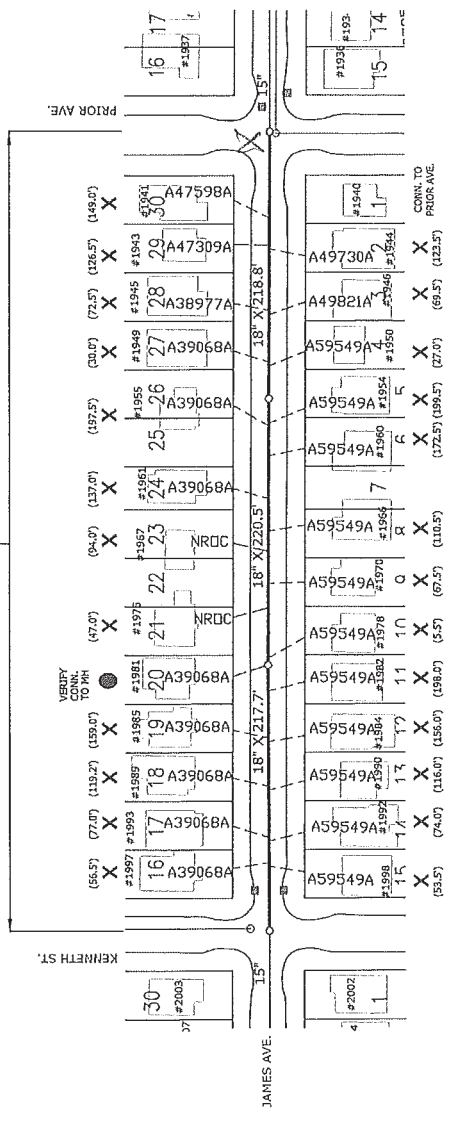
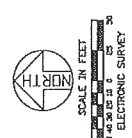
**Note: A public hearing before the Saint Paul City Council is required. Application and fee must be received no fewer than forty five (45) days prior to the public hearing date that is before the variance start date.**

1. Organization/person seeking variance: Insituform
  2. Mailing Address w/zip code: 1177 Birch Lake Blvd N, White Bear Lake, MN, 55110
  3. Responsible person: Patrick Hillan
  4. Title or position: Field Engineer
  5. Telephone: ( 218 ) 820-6717 E-Mail: phillan@insituform.com
  6. Briefly describe the noise source and equipment involved: Noise will be caused by personnel and heavy trucks used in the sewer lining process.
  7. Address or legal description of noise source: Sewer lining work will occur on James Ave from Prior Ave to Kenneth street.
  8. Noise source time of operation: 7 am to 7 am next day
  9. Date(s) during which the variance is requested: One 24 hour process between April 24 and August 31 2017
  10. Describe the steps that will be taken to minimize the noise levels: Site set up will occur from 7am to 5pm, the use of equipment with back up alarms, hand held power tools will only be used during these hours. The only equipment used after those hours will be critically silenced pumps, truck mounted boiler (both under 70DBA @ 50')
  11. Briefly state reason for seeking variance: The liner curing process will require 24 hours of continuous work.
  12. Attach site diagram showing location of noise source(s), streets, stages, tents, etc. (If there will be amplified sound, indicate location and direction that all speakers will be facing.) Multiple locations may require more than one application.
  13. Return completed Application and **\$172.00 fee** to:  
CITY OF SAINT PAUL  
DEPARTMENT OF SAFETY AND INSPECTIONS  
375 JACKSON STREET, SUITE 220  
SAINT PAUL, MN 55101-1806  
(651) 266-8989  
651-266-9124
- Signature of responsible person: Patrick Hillan Date: 3-9-2017



INSTALL 657.5 L.F. 18" PIPE LINING (7.3mm)

- = INSTALL PIPE LINING
- - - = SANITARY SEWER
- - - = STORM SEWER
- X = RESTORE SERVICE CONNECTION
- ▲ = IDENTIFY SEWER SERVICE BY DYE TESTING AND RESTORE SERVICE CONNECTION
- = VERIFY CONNECTION TO M.H.



JAMES AVENUE  
Kenneth to Prior

PROJECT: 16-S-2038 STRIP MAP NUMBER 2360  
 DRAWER: 10 CAD LOCATION: Z:\SERVISE\PROJECTS\2016\MISCELLANEOUS\21  
 DWG. NO. 5513 DRAWN ON: 07/06/2016 SHEET NO. 21 OF 43 SHEETS

PREPARED BY THE SEWER DESIGN DIVISION FOR THE CITY OF ST. PAUL, DEPARTMENT OF PUBLIC WORKS

2016 MISCELLANEOUS SEWER LINING

I HEREBY CERTIFY THAT THIS PLAN, SPECIFICATION OR REPORT WAS PREPARED BY ME OR UNDER MY DIRECT SUPERVISION AND THAT I AM DULY LICENSED BY THE STATE OF MINNESOTA AS A PROFESSIONAL ENGINEER UNDER THE LAWS OF THE STATE OF MINNESOTA

Shawn M. O'Keefe  
 Shawn N. O'Keefe  
 Date: OCT. 10, 2016 Lic. No. 42402

DESIGNED P/JL  
 DRAWN P/JL  
 APPROVED SMO