

Certification

I hereby certify that this plan, specification or report was prepared by me or under my direct supervision and that I am a duly licensed professional ENGINEER under the laws of the state of Minnesota.

Chad Ayers

Chad M. Ayers
Registration No. 41301 Date: 08/09/2019

If applicable, contact us for a wet signed copy of this plan which is available upon request at Sambatek's, Minnetonka, MN office.

Summary

Designed: CMA Drawn: MLL
Approved: CMA Book / Page:
Phase: PRELIM Initial Issue: 08/09/2019

Revision History

No.	Date	By	Submittal / Revision
08/09/2019	MLL	SITE PLAN REVIEW	
10/01/2019	MLL	CITY COMMENT RESPONSE	
10/17/2019	MLL	CITY STORMWATER COMMENT RESPONSE	

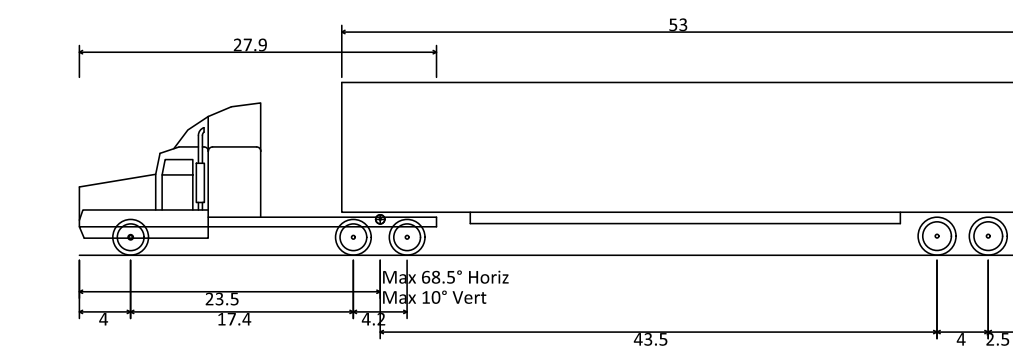
Sheet Title
TRUCK TURN EXHIBIT
WB-67

Sheet No. Revision

Project No. 21625

LEGEND

	PROPOSED	EXISTING	
PROPERTY LIMIT	—	—	STANDARD DUTY ASPHALT PAVING
CURB & GUTTER	—	—	HEAVY DUTY ASPHALT PAVING
EASEMENT	- - -	- - -	CONCRETE PAVING
BUILDING	▬	▬	CONCRETE SIDEWALK
RETAINING WALL	○ ○ ○ ○ ○	—	
WETLAND LIMITS	—	—	
TREELINE	—	—	



WB-67 - Interstate Semi-Trailer
Overall Length 73.501ft
Overall Width 8.500ft
Overall Body Height 13.500ft
Min Body Ground Clearance 1.334ft
Max Track Width 8.500ft
Lock-to-lock time 6.00s
Max Steering Angle (Virtual) 28.40°

