



CITY OF SAINT PAUL  
Christopher B. Coleman, Mayor

375 Jackson Street, Suite 220  
Saint Paul, Minnesota 55101-1806

Telephone: 651-266-8989  
Facsimile: 651-266-9124  
Web: www.stpaul.gov/dsi

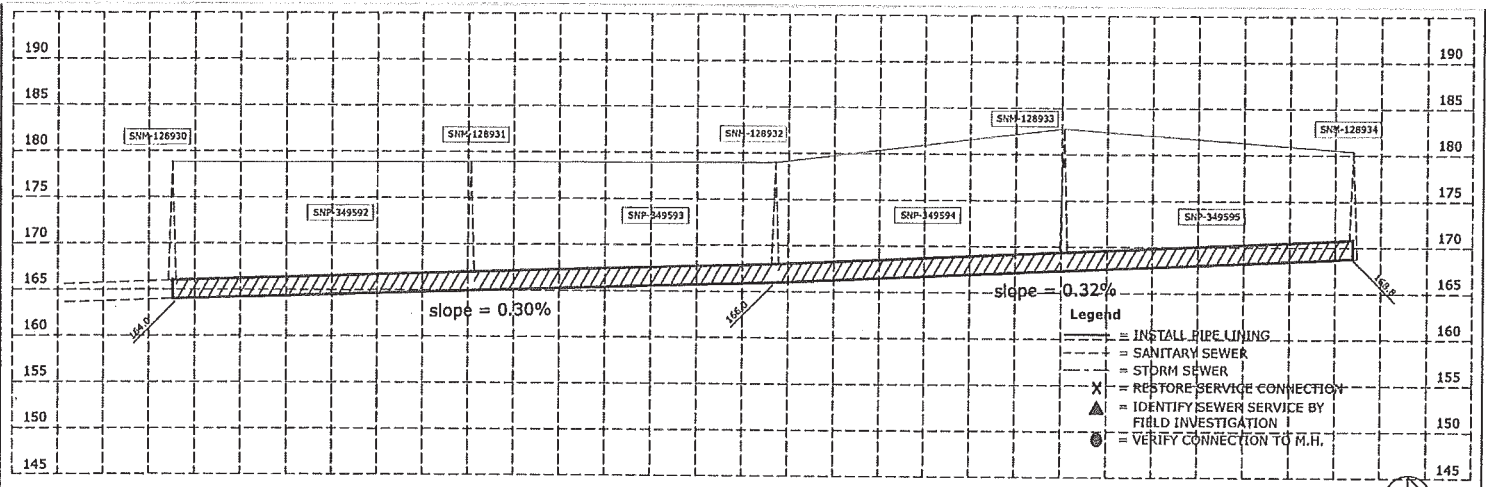
## Sound Level Variance Application

City of Saint Paul Noise Ordinance (Chapter 293)

**Note:** A public hearing before the Saint Paul City Council is required. Application and fee must be received no fewer than forty five (45) days prior to the public hearing date that is before the requested Variance start date.

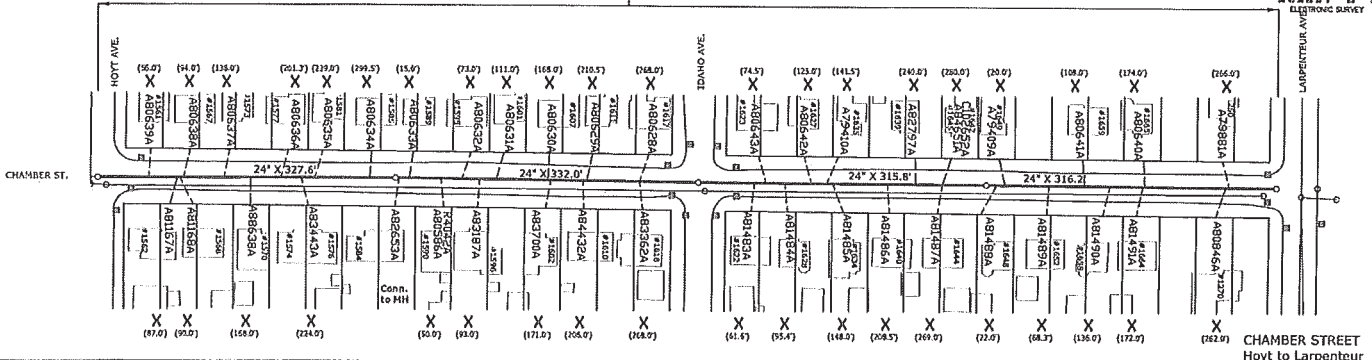
1. Organization/person seeking variance: Insituform
2. Mailing Address w/zip code: 1177 Birch Lake Blvd N, White Bear Lake, MN, 55110
3. Responsible person: Patrick Hillan Title: Field Engineer
4. Event Name: Ashland -Central Sewer Lining
5. Telephone: 218-820-6717 E-Mail: phillan@insituform.com
6. Date(s) during which the variance is requested: one 24 hour process between April 5th and Dec 31st 2018.
7. Noise source - Time(s) of operation: 7am-7am 24 hours  
- Time(s) of pre-event sound check: \_\_\_\_\_
8. Address or legal description of Noise source: Lining process will occur on Chamber Street from Hoyt to Larpenter.
9. Sound level requested: 70 DBA @ 50 feet after normal working hours.
10. Briefly describe the noise source and equipment involved: Running trucks with back up alarms, generators and hand held power tools.
11. Describe the steps that will be taken to minimize the noise levels: Site set up will be from 7am to 5 pm. The use of equipment with back up alarms and hand held power tools will be used during normal working hours. After hours a truck mounted boiler and critically silenced pump will be used (both under 50 DBA@ 50').
12. State reason for seeking variance (E.g. music, announcements, construction, etc.): Sewer lining process is 24 hours of continuous work.
13. Attach site diagram showing location of noise source(s), streets, stages, tents, etc. (If there will be amplified sound, indicate location and direction that all speakers will be facing.) Multiple locations may require more than one application.
14. Return completed Application, Site Diagram, and **\$172.00 fee** to: **CITY OF SAINT PAUL**  
**DEPARTMENT OF SAFETY AND INSPECTIONS**  
**375 JACKSON STREET, SUITE 220**  
**SAINT PAUL, MN 55101-1806**

Signature of responsible person: Patrick Hillan Date: 3-6-18



- Legend**
- ▬ INSTALL PIPE LINING
  - ▬ SANITARY SEWER
  - ▬ STORM SEWER
  - X RESTORE SERVICE CONNECTION
  - ▲ IDENTIFY SEWER SERVICE BY FIELD INVESTIGATION
  - VERIFY CONNECTION TO M.H.

INSTALL 1291.6 L.F. 24" PIPE LINING



	DRAWN	P.L.	I HEREBY CERTIFY THAT THIS PLAN, SPECIFICATION OR REPORT WAS PREPARED BY ME OR UNDER MY DIRECT SUPERVISION AND THAT I AM A DULY LICENSED PROFESSIONAL ENGINEER UNDER THE LAWS OF THE STATE OF WISCONSIN. Date: 10/20/2017 Lic. No. 42402	PREPARED BY	THE SEWER DESIGN DIVISION	FOR THE CITY OF	ST. PAUL, DEPARTMENT OF PUBLIC WORKS	PROJECT:	17-S-2037	STEP MAP NUMBER	1416
	CHECKED	L.H.		ASHLAND-CENTRAL SEWER LINING	DRAWN:	10	LOCATIONS:	Z:\SEWERS\PROJECTS\2017\ASHLAND-CENTRAL			
	APPROVED	SNO		Signature: <i>Shawn M. O'Keefe</i>	DWG. NO.	5515	DRAWN ON:	10/20/2017	SHEET NO.	111	OF