



CITY OF SAINT PAUL
Christopher B. Coleman, Mayor

375 Jackson Street, Suite 220
Saint Paul, Minnesota 55101-1806

Telephone: 651-266-8989
Facsimile: 651-266-9124
Web: www.stpaul.gov/dsi

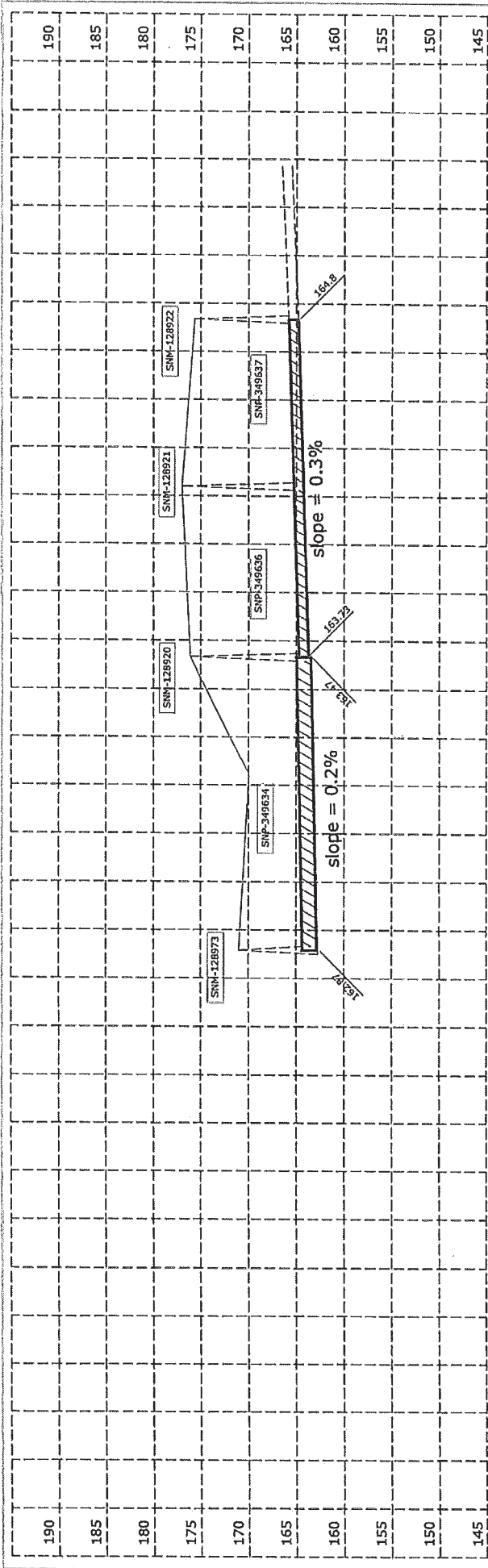
Sound Level Variance Application

City of Saint Paul Noise Ordinance (Chapter 293)

Note: A public hearing before the Saint Paul City Council is required. Application and fee must be received no fewer than forty five (45) days prior to the public hearing date that is before the requested Variance start date.

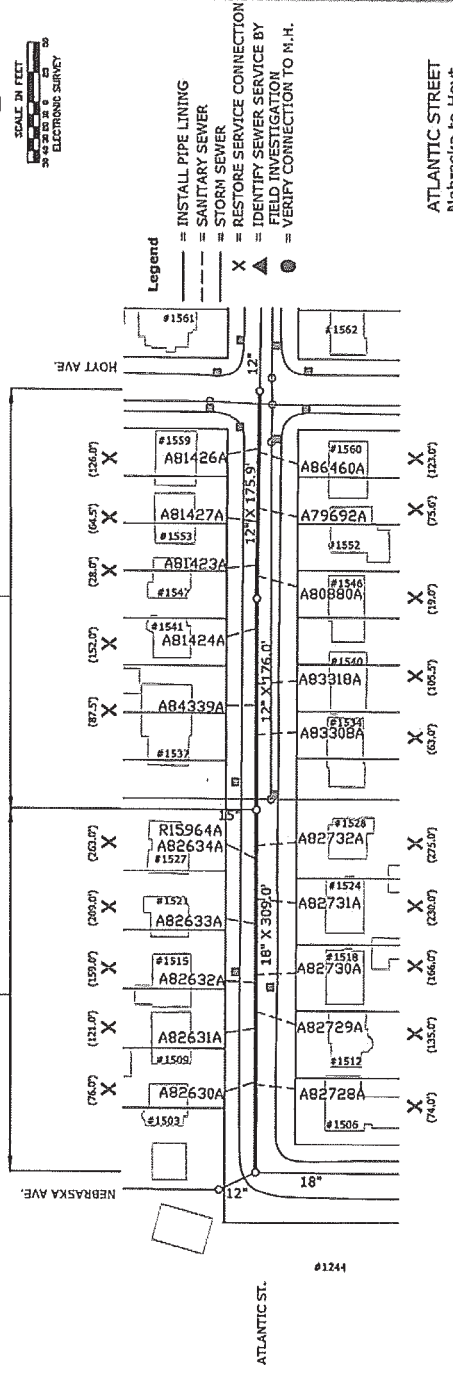
1. Organization/person seeking variance: Insituform
2. Mailing Address w/zip code: 1177 Birch Lake Blvd N, White Bear Lake, MN, 55110
3. Responsible person: Patrick Hillan Title: Field Engineer
4. Event Name: Ashland -Central Sewer Lining
5. Telephone: 218-820-6717 E-Mail: phillan@insituform.com
6. Date(s) during which the variance is requested: one 24 hour process between April 5th and Dec 31st 2018.
7. Noise source - Time(s) of operation: 7am-7am 24 hours
- Time(s) of pre-event sound check: _____
8. Address or legal description of Noise source: Lining process will occur on Atlantic from Nebraska to Hoyt.
9. Sound level requested: 70 DBA @ 50 feet after normal working hours.
10. Briefly describe the noise source and equipment involved: Running trucks with back up alarms, generators and hand held power tools.
11. Describe the steps that will be taken to minimize the noise levels: Site set up will be from 7am to 5 pm. The use of equipment with back up alarms and hand held power tools will be used during normal working hours. After hours a truck mounted boiler and critically silenced pump will be used (both under 50 DBA@ 50').
12. State reason for seeking variance (E.g. music, announcements, construction, etc.): Sewer lining process is 24 hours of continuous work.
13. Attach site diagram showing location of noise source(s), streets, stages, tents, etc. (If there will be amplified sound, indicate location and direction that all speakers will be facing.) Multiple locations may require more than one application.
14. Return completed Application, Site Diagram, and **\$172.00 fee** to: **CITY OF SAINT PAUL**
DEPARTMENT OF SAFETY AND INSPECTIONS
375 JACKSON STREET, SUITE 220
SAINT PAUL, MN 55101-1806

Signature of responsible person: Patrick Hillan Date: 3-6-18



INSTALL 309.0 L.F. 18" PIPE LINING

INSTALL 351.9 L.F. 12" PIPE LINING



	DRAWN	P-JL	PROJECT	17-S-2037	STRIP MAP NUMBER	1129
	CHECKED	LJH	DRAWN	10	CAD	LOCATIONS
	APPROVED	SAC	DWG. NO.	5515	DATE	10/20/2017
<p>I HEREBY CERTIFY THAT THIS PLAN, SPECIFICATION OR REPORT WAS PREPARED BY ME OR UNDER MY DIRECT SUPERVISION AND THAT I AM A DAILY LICENSED PROFESSIONAL ENGINEER UNDER THE LAWS OF THE STATE OF MINNESOTA</p> <p>Signature: <i>Samuel M. Pfeiffer</i> Name: Samuel M. Pfeiffer License No.: 42402</p>			<p>FOR THE CITY OF ST. PAUL, DEPARTMENT OF PUBLIC WORKS</p> <p>ASHLAND-CENTRAL SEWER LINING</p>			
			<p>ATLANTIC STREET Nebraska to Hoyt</p>			

PROJECT: 17-S-2037
 STRIP MAP NUMBER: 1129
 DRAWN: 10
 CAD: LOCATIONS
 DWG. NO.: 5515
 DATE: 10/20/2017