

**SITE PLAN REQUEST TO AUTHORIZE A SECURITY SYSTEM FOR:
CALIBER COLLISION
1190 UNIVERSITY AVENUE WEST
SAINT PAUL, MN 55104**

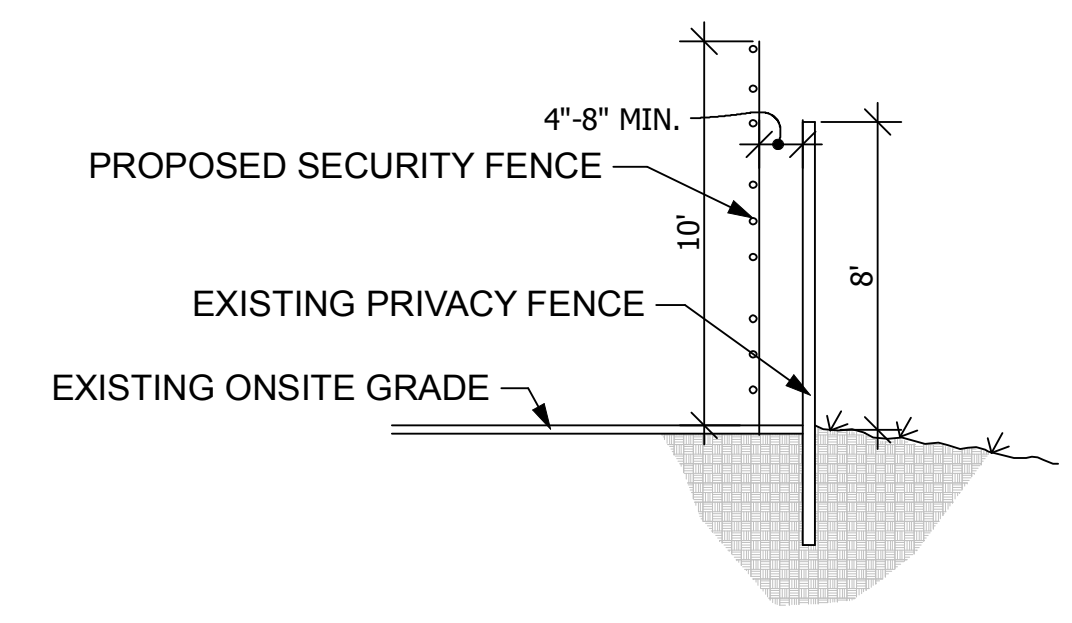
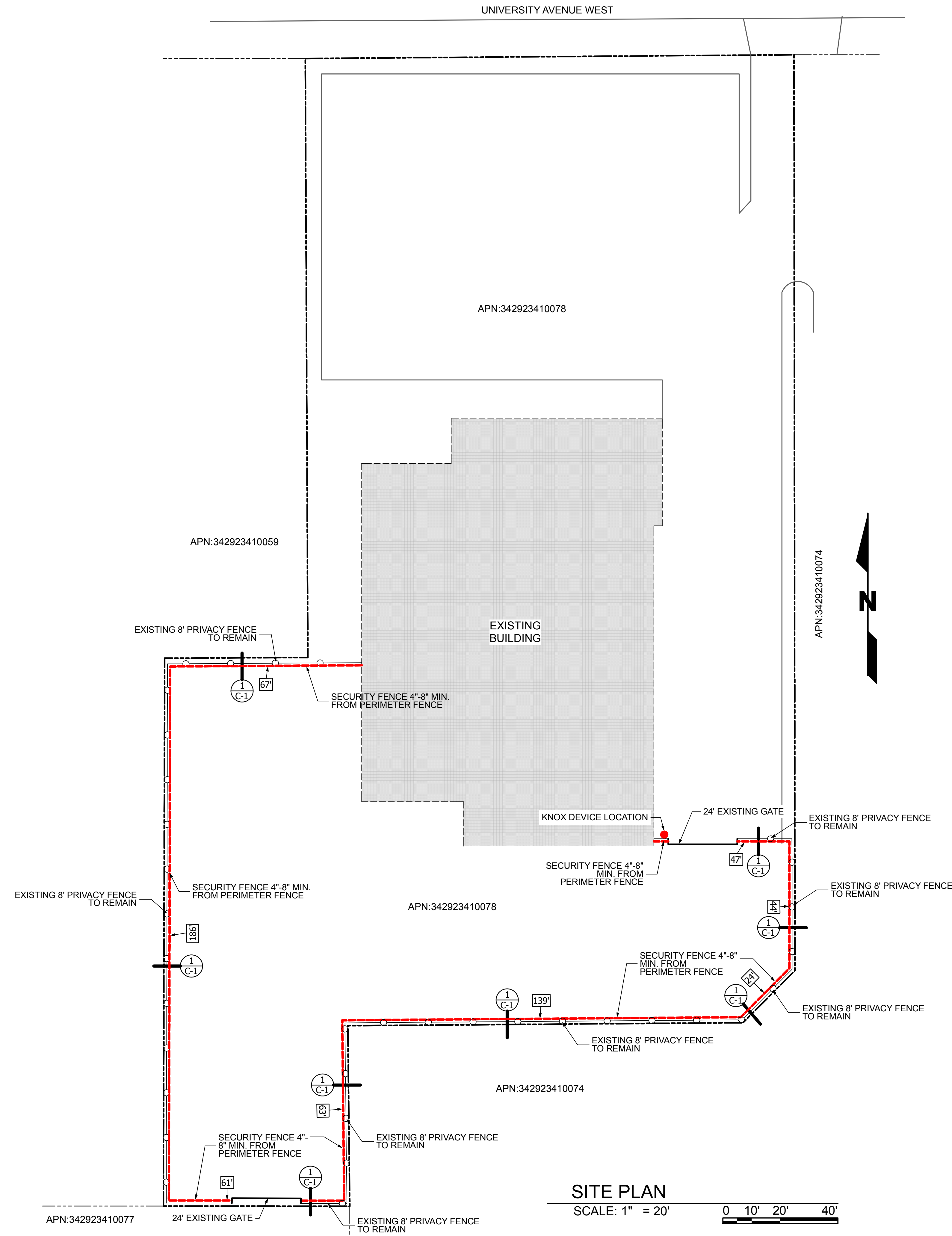
NOTES
POLE LOCATIONS:
STEEL POLES: TO BE LOCATED APPROXIMATELY ON EACH SIDE OF GATE(S) & EVERY 90° (OR GREATER) TURN IN FENCE LINE.
FIBERGLASS/INTERMEDIATE POLES: TO BE LOCATED APPROXIMATELY EVERY 30'

DISCLAIMER:
POLE LOCATIONS MAY SLIGHTLY DEVIATE FROM STIPULATIONS ABOVE DUE TO ON-SITE CONDITIONS

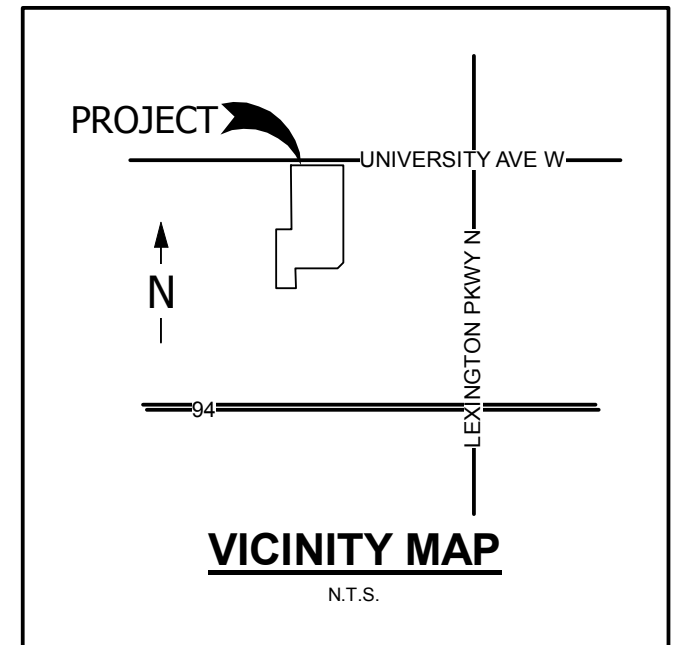
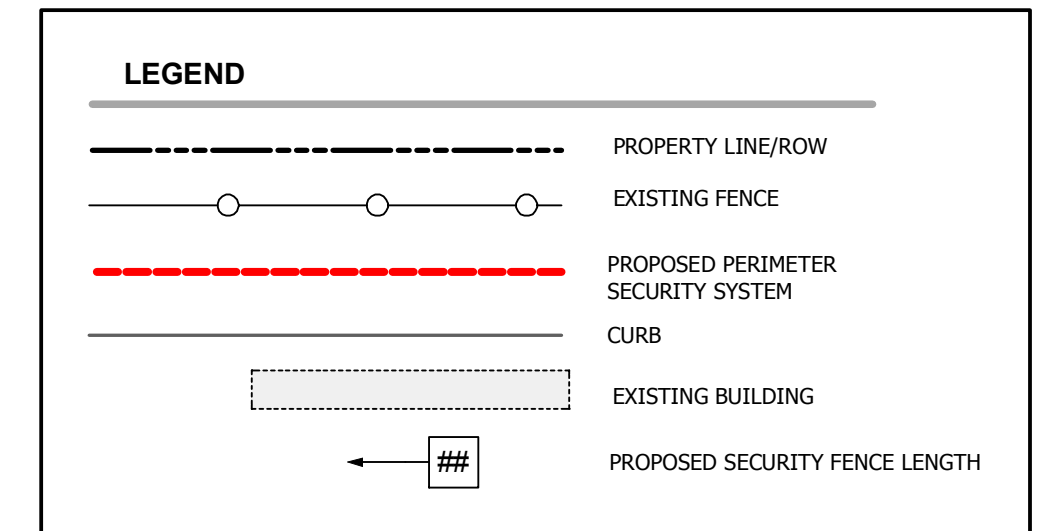
PROPERTY OWNER
KREBSBACH PROPERTIES
5353 WAYZATA BLVD #650
MINNEAPOLIS MN 55416

PROJECT DATA
APN:342923410078
ACRES:1.54
ZONING:T-4

#	DATE / DESCRIPTION



1
C-1 PERIMETER FENCE SECTION
NTS.



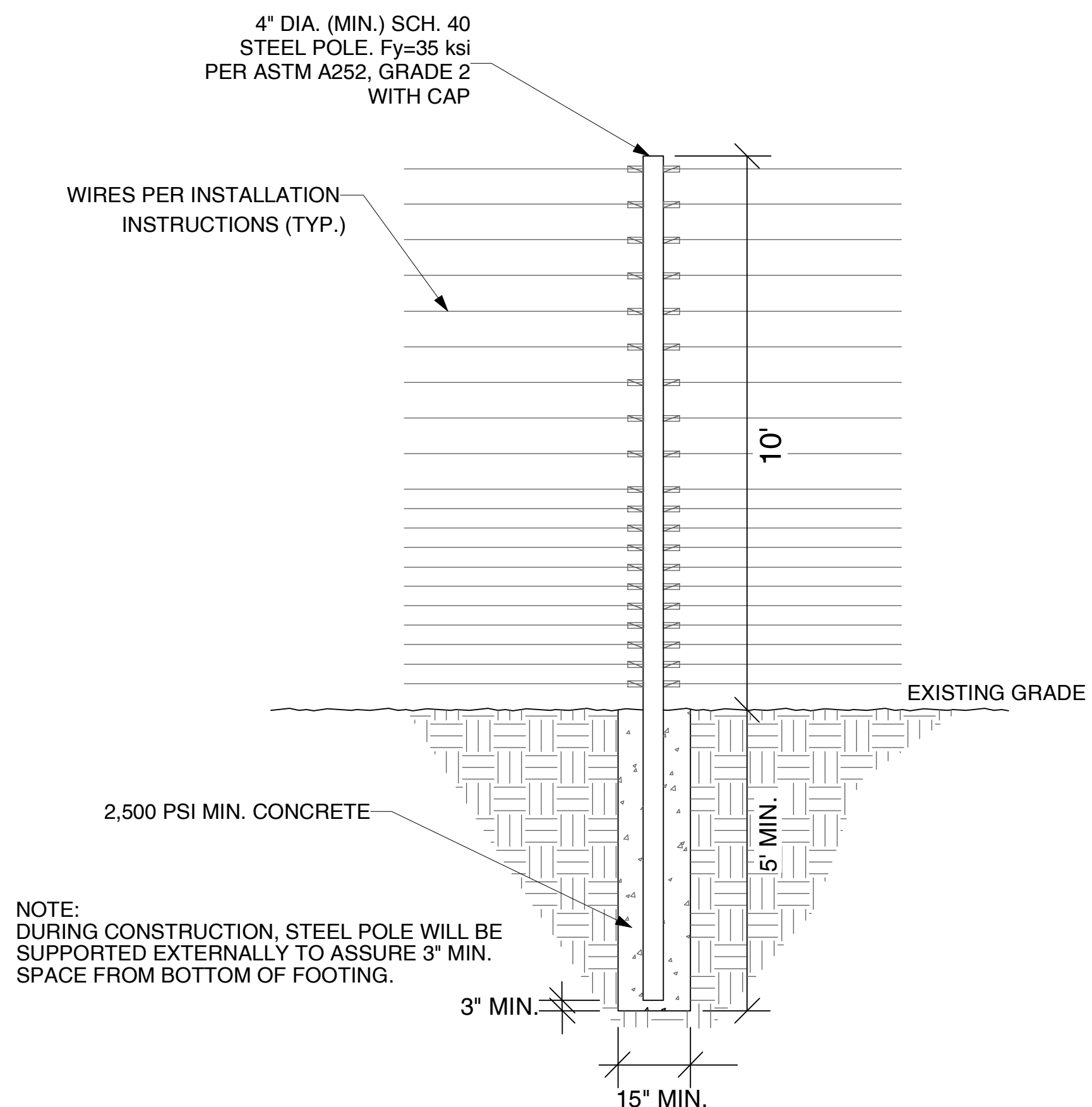
SITE PLAN
SCALE: 1" = 20'
0 10' 20' 40'

AMAROK
ULTIMATE PERIMETER SECURITY
550 Assembly Street, 5th Floor Columbia, SC 29201 PH: 803-786-6333

PROJECT:
**CALIBER COLLISION
1190 UNIVERSITY AVENUE WEST
SAINT PAUL, MN 55104**
SHEET TITLE: **SITE PLAN**

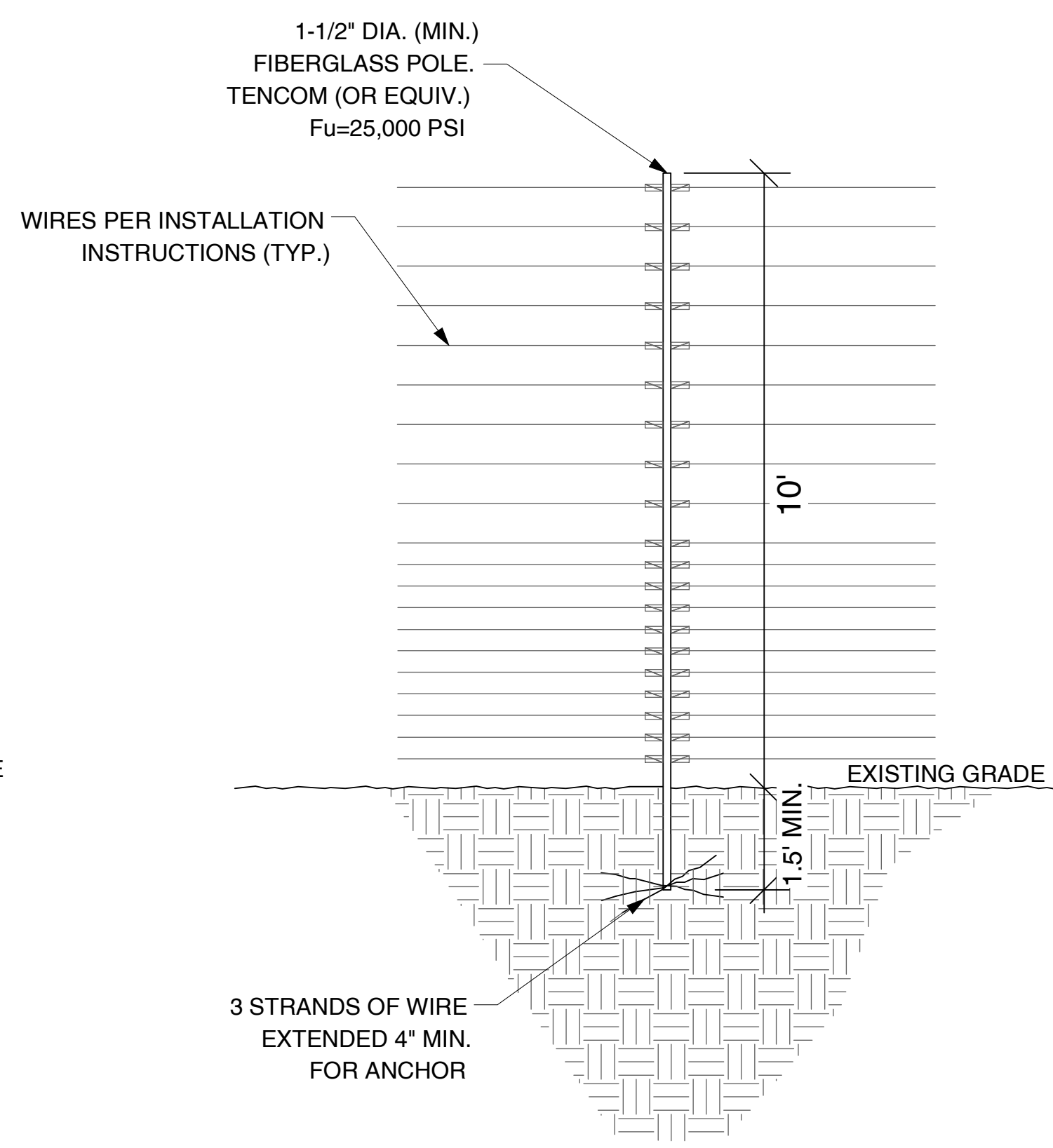
DATE: 10/24/2021
SCALE: SEE PLAN

SHEET
C-1
of 3



STEEL POLE DETAIL

N.T.S. (STRUCTURAL)

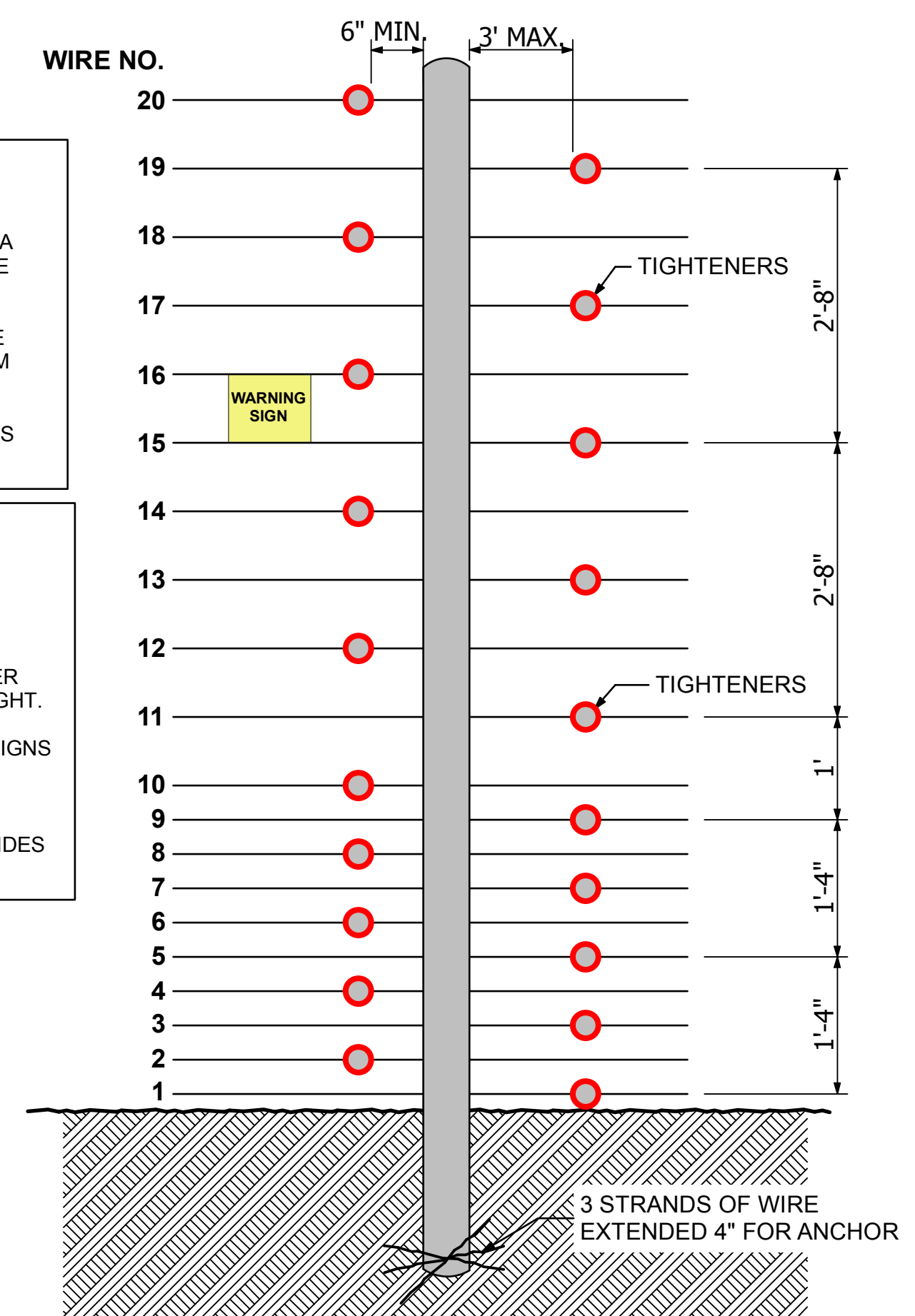


FIBERGLASS POLE DETAIL

N.T.S. (NON-STRUCTURAL, NON-LOADBEARING, WIRE SEPARATOR)

RAPID TIGHTENERS
 RAPID TIGHTENERS ARE INSTALLED IN EVERY SECTION - BETWEEN 6 INCHES AND 3 FEET FROM A FIBERGLASS POLE - TOWARD THE CENTER OF THE RUN.
 THE TIGHTENERS ARE ALTERNATED ON OPPOSITE SIDES OF THE POLE TO PREVENT GROUNDS FROM HITTING WIRES WITH CURRENT.
 WIRE SHOULD BE WRAPPED TWO OR THREE TIMES AROUND EACH TIGHTENER.

WARNING SIGNS
 WARNING SIGNS MUST BE INSTALLED EVERY 30', WHICH IS THE MAXIMUM DISTANCE BETWEEN WARNING SIGNS.
 ALL WARNING SIGNS SHOULD BE MOUNTED EITHER BETWEEN WIRES 15 & 16 OR AT BEST VISIBLE HEIGHT.
 IF INSTALLED BEHIND A SOLID FENCE, WARNING SIGNS SHOULD ALSO BE PLACED ON OR ABOVE THE PERIMETER FENCE.
 WARNING SIGNS SHALL BE VISIBLE FROM BOTH SIDES OF FENCING



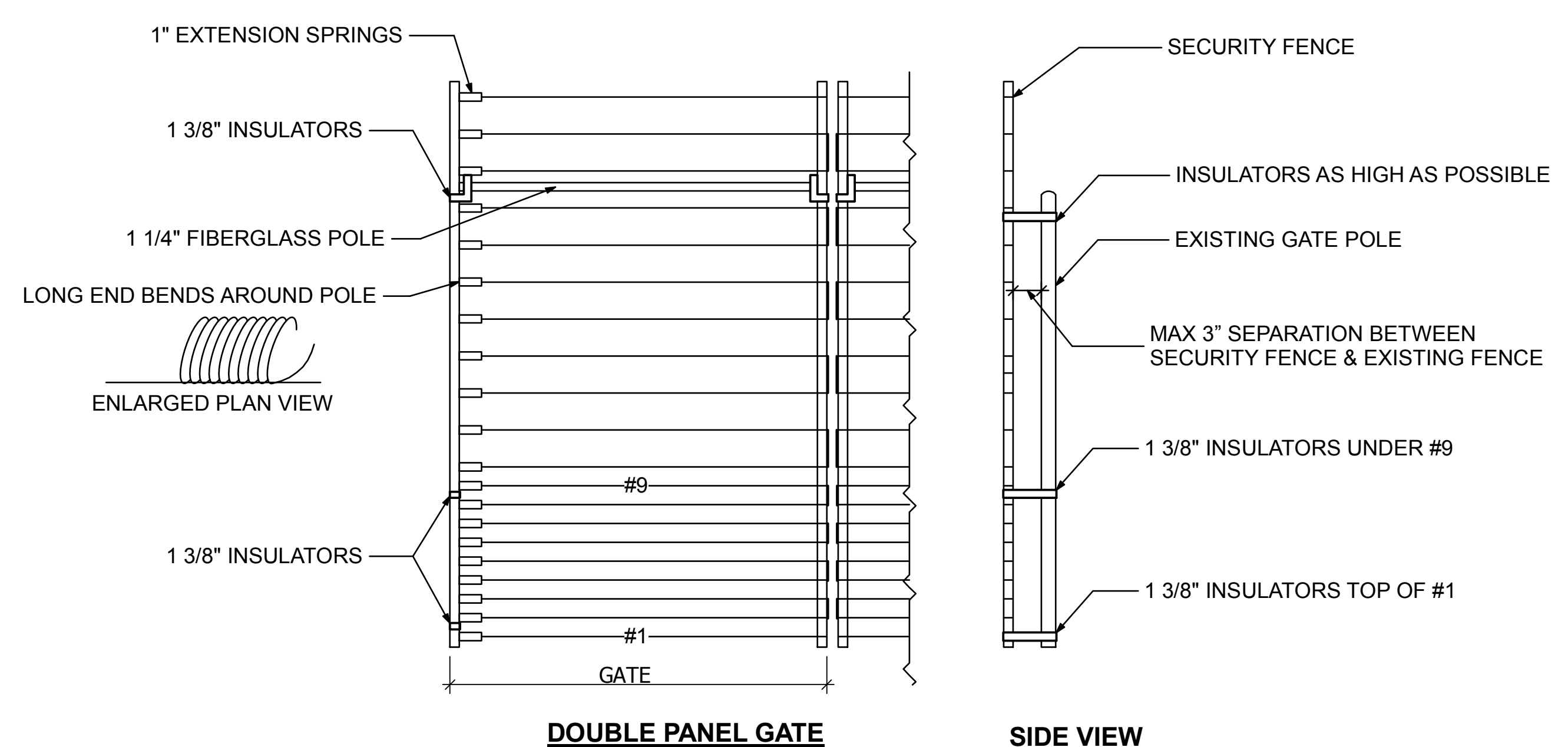
WIRE CONNECTIONS

NTS



EXAMPLE WARNING SIGNS

WARNING SIGNS SHALL BE PLACED AT EACH ENTRANCE OF THE PROPERTY AND 30 FEET ON CENTER THEREAFTER. WARNING SIGNS SHALL BE VISIBLE FROM BOTH SIDES OF FENCING AND BE 9"X12" IN SIZE.

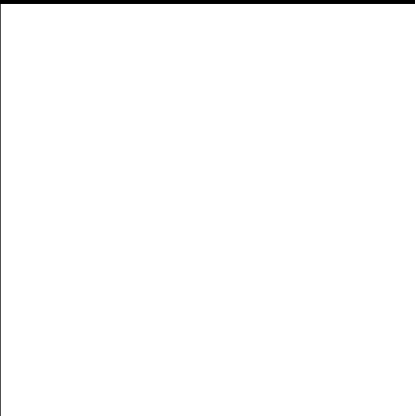


- NOTES:**
- INSULATORS ARE LOCATED ON TOP OF #1, UNDER #9, TO AS HIGH ON THE GATE AS POSSIBLE.
 - SPRINGS ARE LOCATED ON OPPOSITE SIDES OF LOCK.
 - ALL CONTACTS MUST INCLUDE SPRINGS.
 - ALL CONTACTS MUST HAVE BOLT THROUGH FIBERGLASS (NO SET SCREWS).
 - ALL BRACE BANDS HOOKED TO CHAIN LINK MUST HAVE SET SCREWS.
 - EVERY GATE PANEL MUST HAVE A SIGN.
 - GATE MOUNTS WILL NOT IMPACT THE FUNCTIONALITY OF THE GATE

GATE DETAIL

N.T.S.

#	DATE / DESCRIPTION



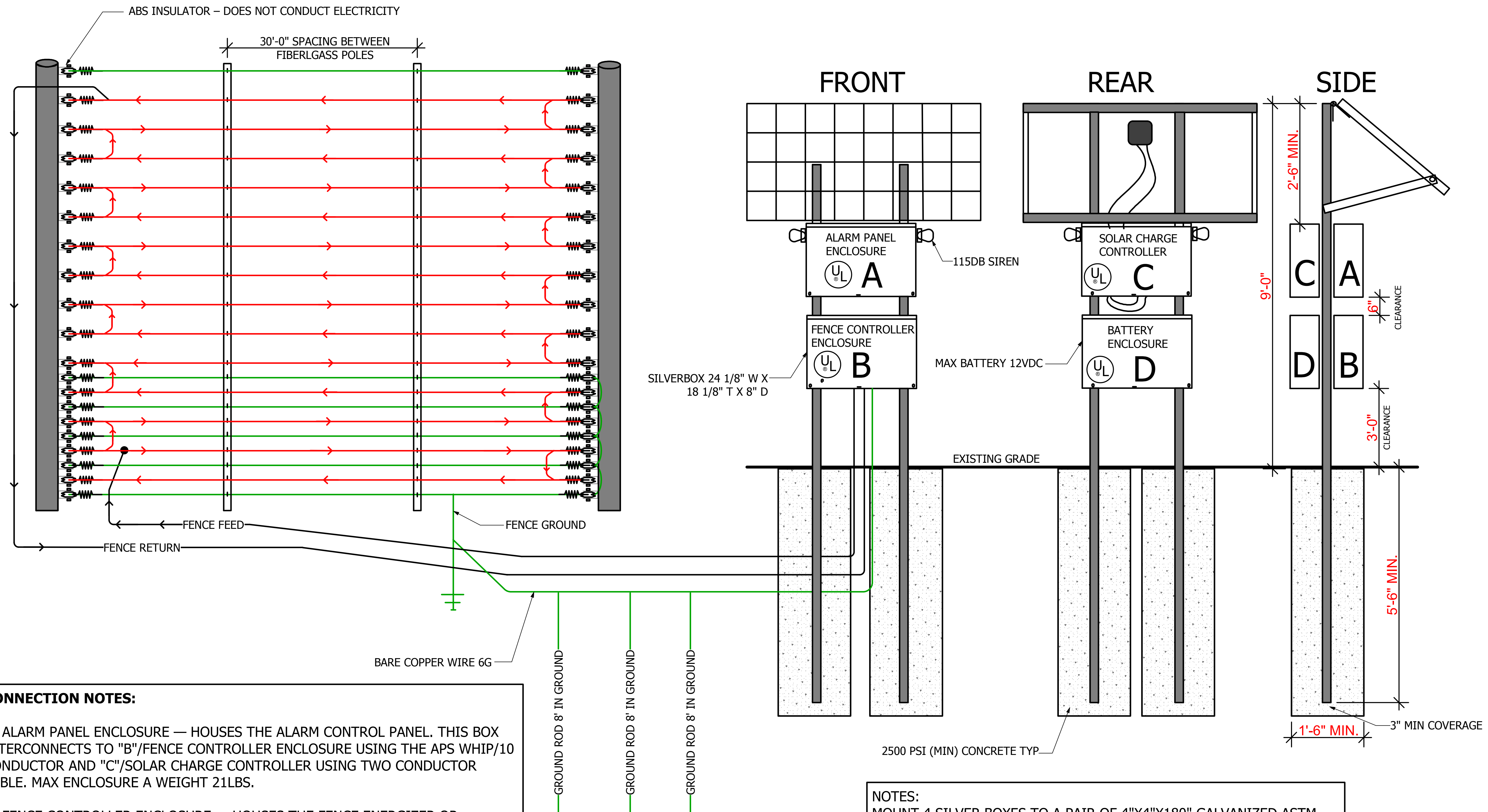
AMAROK
 ULTIMATE PERIMETER SECURITY
 550 Assembly Street, 5th Floor Columbia, SC 29201 PH: 803-786-6333

PROJECT: CALIBER COLLISION
 1190 UNIVERSITY AVENUE WEST
 SAINT PAUL, MN 55104
 SHEET TITLE: TYPICAL DETAILS

DATE: 10/24/2021
 SCALE: SEE PLAN

SHEET
C-2
 of 3

WIRE RUN DETAILS & OUTSIDE MOUNTED ELECTRONICS/CONTROLLER WITH STEEL POLE DETAIL



CONNECTION NOTES:

A: ALARM PANEL ENCLOSURE — HOUSES THE ALARM CONTROL PANEL. THIS BOX INTERCONNECTS TO "B"/FENCE CONTROLLER ENCLOSURE USING THE APS WHIP/10 CONDUCTOR AND "C"/SOLAR CHARGE CONTROLLER USING TWO CONDUCTOR CABLE. MAX ENCLOSURE A WEIGHT 21LBS.

B: FENCE CONTROLLER ENCLOSURE — HOUSES THE FENCE ENERGIZER OR EQUIVALENT. THIS BOX INTERCONNECTS TO "A"/ALARM PANEL ENCLOSURE USING THE APS WHIP/10 CONDUCTOR CABLE. MAX ENCLOSURE B WEIGHT 22LBS.

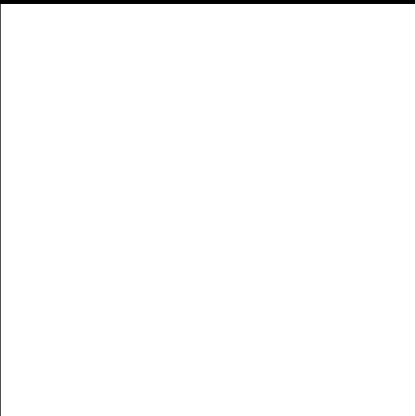
C: SOLAR CHARGE CONTROLLER ENCLOSURE — POWER ELEMENTS FOR SOLAR CHARGE CONTROLLER AND DISCONNECTS FOR SOLAR, BATTERY AND LOAD CONNECTIONS. POWER UP PROCEDURE: TURN ON BATTERY BREAKER FIRST, THEN TURN ON SOLAR BREAKER. THE ELECTRONICS POWER IS CONTROLLER BY THE LOAD BREAKER. MAX SOLAR CHARGE CONTROLLER ENCLOSURE WEIGHT 25LBS.

D: BATTERY ENCLOSURE—THIS ENCLOSURE INTERCONNECTS TO "C"/SOLAR CHARGE CONTROLLER ENCLOSURE USING TWO CONDUCTOR 14G AND 10G THWN. MAX BATTERY ENCLOSURE WEIGHT 52LBS.

BATTERY WILL NOT EXCEED 70KWH

NOTES:
 MOUNT 4 SILVER BOXES TO A PAIR OF 4"X4"X180" GALVANIZED ASTM A500 STEEL POLES. BOTTOM OF THE LOWEST BOX MUST BE A MINIMUM 2 FEET ABOVE GROUND LEVEL. THE SUPPORT POLES MUST BE EMBEDDED AT MINIMUM 5'-6" BELOW GROUND LEVEL.

#	DATE / DESCRIPTION



AMAROK
 ULTIMATE PERIMETER SECURITY

550 Assembly Street, 5th Floor Columbia, SC 29201 PH: 803-786-6333

PROJECT: CALIBER COLLISION
 1190 UNIVERSITY AVENUE WEST
 SAINT PAUL, MN 55104

SHEET TITLE: TYPICAL DETAILS

DATE: 10/24/2021
 SCALE: SEE PLAN

SHEET
C-3
 of 3