

Exhibit A

Ordinance Permit 20200010104

Exhibit H

Form of Public Infrastructure Conveyance

PUBLIC INFRASTRUCTURE CONVEYANCE

ORDINANCE PERMIT # #20200010104

This Public Infrastructure Conveyance Agreement (“Agreement”) is made and entered into effective February 3, 2022, by and between PROJECT PAUL, LLC, a Delaware limited liability company (“Developer”), and CITY OF SAINT PAUL, MINNESOTA, a municipal corporation existing under the laws of the State of Minnesota (“City”).

NOW, THEREFORE, in consideration of the mutual obligations of the parties hereto, each of them does hereby covenant and agree as follows:

1. Notification. The Developer has delivered to the City a duly executed Certificate of Completion and, thereafter, the City has determined that the applicable components of the Public Infrastructure as described in **Exhibit A** hereto (the “Infrastructure”) appear to have been constructed in accordance with the approved plans and specifications and the preliminary and final plat and has so notified the Developer in writing. As a result, via this Agreement, the Developer is conveying the Property to the City in accordance with the Site Improvement Performance Agreement, dated December 19, 2019. The acceptance of the Infrastructure does not take effect until the Saint Paul City Council accepts the Infrastructure via Resolution.

2. Representations. The Developer hereby represents, certifies, and promises to the City the following:

- (a) With respect to the Property, Developer has complied with the provision of the Redevelopment Agreement, dated December 19, 2019, including that the Property conveyed to the City in this Agreement is completely constructed, constructed in compliance with all applicable Standards as described in the St. Paul Department of Public Works’ Construction of Infrastructure by Private Developers Policy, is free of defects, and is free and clear of any encumbrances or liens.
- (b) A final walk-through inspection with appropriate City staff has been completed and any required corrective work (written punch list) determined through said walk-through or as determined under the normal and ordinary course of on-site observations by City staff or those hired by the City to complete such observations, has been completed.
- (c) The following documents respecting the Property are complete, accurate, and have been filed with the appropriate department(s) of the City of Saint Paul:
 - (i) Original, reproducible As-Built Plans acceptable to the Department of Public Works, City of Saint Paul are on file with said Department.
 - (ii) Certificate of Completion signed by Engineer of Record who is a licensed Professional Engineer with the State of Minnesota per Minnesota State Statute 326.

[Exhibit N to Site Improvement Performance Agreement (Ford Site)]


- (iii) For sewer systems, video records of televised inspections of sewer mains have been submitted by permittee and approved by Sewer Utility staff.
- (iv) For sewer systems, sewer connection permit information on file with Public Works.
- (v) Operation and Maintenance plans.
- (vi) All other permit requirements as set forth in the Ford site ordinance permit policy.
- (d) Developer has undertaken any and all necessary actions to assign warranties it owns or possesses on or with the Property to the City.
- (e) Developer will duly execute and deliver any other documents as may be reasonably and customarily required in connection with the transfer of the Property to the City.

3. Conveyance. The Developer hereby dedicates, conveys and assigns in good title to the City of Saint Paul, together with all hereditaments and appurtenances all rights, entitlements, benefits, permits, approvals, and licenses that pertain to, with, or in the Property in its entirety, without reservation or exception, together with all warranties, free and clear of any mortgage, pledge, hypothecation, encumbrance, lease, license, lien or others security interest. If necessary, Developer shall execute a recordable Warranty Deed to be recorded with the Ramsey County Registrar’s Office.

IN WITNESS WHEREOF, the City and Developer have caused this Agreement to be duly executed in their names and on their behalf, all on or as of the date first above written.

PROJECT PAUL, LLC,
a Delaware limited liability company

By: Ryan Companies US, Inc., a Minnesota corporation, its Sole Member

DocuSigned by:

 By: _____
E1430C9DF3EB48A...
 Name: Maureen Michalski
 Its Vice President

STATE OF _____)
) ss.
 COUNTY OF _____)

The foregoing instrument was acknowledged before me this ___ day of _____, 2019, by _____, the _____ of Ryan Companies US, Inc., a Minnesota corporation, the Sole Member of Project Paul, LLC, a Delaware limited liability company, on behalf of the limited liability company.

 Notary Public



January 20, 2021

The safety and health of our Ryan team members, our clients, our partners and the general public is a top priority at Ryan. Safety is a key core value at Ryan, and we are committed to maintaining a safe work environment in our offices and at our project sites, including Highland Bridge.

As part of that commitment to safety, many of our employees are working from their homes which brings challenges as it relates to notarizing specific documents.

Ryan and the City of Saint Paul have confirmed the Form of Public Infrastructure Conveyance is not recorded at the County Recorder's Office so a notary is not necessary. As such, the notary requirement for the Form of Public Infrastructure Conveyance is deleted.

Ryan Companies US, Inc.
533 South Third Street, Suite 100
Minneapolis, MN 55415

p: 612-492-4000
ryancompanies.com

Certificate Of Completion

Envelope Id: F6BAE2510D3D4EF48E57C74F6309E9A4	Status: Completed
Subject: Please DocuSign: Exhibit H - Form of Public Infrastructure Conveyances	
Source Envelope:	
Document Pages: 17	Signatures: 8
Certificate Pages: 1	Initials: 0
AutoNav: Enabled	Envelope Originator:
Envelope Stamping: Enabled	Kelly Beach
Time Zone: (UTC-06:00) Central Time (US & Canada)	533 South Third Street, Suite 100
	Minneapolis, MN 55415
	Kelly.Beach@RyanCompanies.com
	IP Address: 216.70.43.100


Record Tracking

Status: Original	Holder: Kelly Beach	Location: DocuSign
2/3/2022 12:42:26 PM	Kelly.Beach@RyanCompanies.com	

Signer Events

Maureen Michalski
 Maureen.Michalski@RyanCompanies.com
 Vice President
 Ryan Companies US, Inc.
 Security Level: Email, Account Authentication (None)

Signature

DocuSigned by:

 E1430C9DF3EB48A...
 Signature Adoption: Uploaded Signature Image
 Using IP Address: 174.199.35.5
 Signed using mobile

Timestamp

Sent: 2/3/2022 12:45:20 PM
 Viewed: 2/3/2022 5:16:07 PM
 Signed: 2/3/2022 5:16:33 PM

Electronic Record and Signature Disclosure:
 Not Offered via DocuSign

In Person Signer Events	Signature	Timestamp
Editor Delivery Events	Status	Timestamp
Agent Delivery Events	Status	Timestamp
Intermediary Delivery Events	Status	Timestamp
Certified Delivery Events	Status	Timestamp
Carbon Copy Events	Status	Timestamp
Witness Events	Signature	Timestamp
Notary Events	Signature	Timestamp
Envelope Summary Events	Status	Timestamps
Envelope Sent	Hashed/Encrypted	2/3/2022 12:45:20 PM
Certified Delivered	Security Checked	2/3/2022 5:16:07 PM
Signing Complete	Security Checked	2/3/2022 5:16:33 PM
Completed	Security Checked	2/3/2022 5:16:33 PM
Payment Events	Status	Timestamps

Exhibit G

Form of Completion Certificate



CITY OF SAINT PAUL DEPARTMENT OF PUBLIC WORKS

Certificate of Compliance

I hereby certify that work completed under this Ordinance Permit and materials provided for installation conform to the appropriate specifications and provisions of and the Department of Public Works, City of Saint Paul, Minnesota, *Standard Supplemental Specifications for Construction of Public Infrastructure by Private Developers Policy*, as amended, and that I am a duly Licensed Professional Engineer under the laws of the State of Minnesota.

Right of Way Ordinance Permit #4

Project Description

20200010104

Permit Number

Dan Glenz

44614

12/08/2021

(Signature and License No.)

Date

Kimley-Horn and Associates Inc.

Organization (Print)

1/2012



CITY OF ST PAUL
 Department of Public Works
 25 West 4th Street
 1500 City Hall Annex
 Saint Paul, MN 55102

ORDINANCE PERMIT

OFFICE USE ONLY
 Application No. 1
 Application Date 9/24/2020
 SPR File # 20-028740
 Permit No. 20200010104

Type of Permit (select one only):

- | | | |
|--|--|---|
| <input checked="" type="checkbox"/> Base Roadway | <input type="checkbox"/> Roadway Sidewalks | <input type="checkbox"/> Sanitary Sewer Collection System |
| <input type="checkbox"/> Bridge | <input type="checkbox"/> Roadway Traffic | <input type="checkbox"/> Storm Sewer Collection System |
| <input type="checkbox"/> Retaining Wall | <input type="checkbox"/> Sanitary Drop Shaft | <input type="checkbox"/> Storm Sewer Treatment System |

Phase:

One

Location (Street On, From/To, and Adjacent Lots/Blocks):

Bohland Ave, from Mississippi River Blvd to Woodlawn Avenue.

Description of Work: *[Include the description provided in the permit application and all subsequent amendments or revisions, which are hereby incorporated by reference.]*

The scope of work to be installed under Right of Way Ordinance Permit #4 is the furnishing and installation of all asphalt paving, aggregate base, granular embankment, pedestrian ramps and curb and gutters in the areas identified in the locations section above along with the attached "Right of Way Ordinance Permit #4 Exhibit". Estimated quantities of asphalt paving, aggregate base, granular embankment, ramps, and curb and gutter can be seen as an attachment to this application labeled "ROW OP SERIES #4 SEQ".

Applicable plan sheets related to this permit are listed below and attached to this application: 17, 288, 390

Applicant Contact Person: Will Rollo	Contact Person Title: Sr. Project Engineer	Contact Person Telephone: 612-257-3536	Contact Person Email: will.rollo@ryancompanies.com
Bond Co.: Travelers Casualty & Surety Co	Bond Amount: \$73,609,974.00	Bond No.: 107185400	
Insurance Co.: Zurich American Insurance Company	Insurance Certificate No.: NA		

Permit Conditions:

Mississippi River Boulevard is not a haul route and cannot be used as a construction haul route unless there's prior approval by the City.

This permit is issued with the stipulation that the work of the permittee and related agents, employees and contractors shall conform in all respects to the Redevelopment Agreement (including all Legal Requirements as defined by Article 1), the City of Saint Paul Department of Public Works Ordinance Permit Process Document, and the Department of Public Works List of Applicable Standards & Specifications. The permit shall be available for display at the site referred to herein and shown to any Police Officer or Inspector upon demand and does not authorize or allow for interference with the work of any Contract made or to be made with the City of Saint Paul.

**THIS PERMIT MAY BE REVOKED AT ANY TIME
 BY THE DIRECTOR OF PUBLIC WORKS**

A PERMIT FOR THE ABOVE DESCRIBED CONSTRUCTION IS AUTHORIZED BY:


 Signature

City Project Technical Lead
 Title

9/28/2020
 Date

David Kuebler, P. E.

Printed Name

PERMIT NUMBER 20200010104

**ITEMS TO BE COMPLETED PRIOR TO ACCEPTANCE OF INFRASTRUCTURE
AND RELEASE OF PERMIT**

Prior to acceptance of any infrastructure and release of City permits, the following items must be completed to the satisfaction of the City:

- Corrective (punch list) work completed;

- Original reproducible CAD and PDF as-built plans, signed by the Engineer of Record, provided to Public Works; Submittal of final copies of Metropolitan Council Environmental Services and MN Pollution Control Agency Permits (Sewer Extension, SAC Determination, etc.); **CAD file to be provided at the end of the project which, for the purposes of obtaining the CAD file, is defined as the end of 2025 or within a reasonable time post 2025.**

- Full compliance with project Quality Management Plan or other document(s) governing quality management and quality assurance;

- Documentation of compliance with all applicable City and non-City permit requirements, including, but not limited to: City Public Works Right-of-Way Office, Minnesota Pollution Control Agency, Capitol Region Watershed District, and National Pollution Discharge Elimination System permit requirements;

- Documentation of roadway materials at compaction of grading and base, plant mix design report, strength;

- NA Video of all sanitary sewer mains and laterals, storm sewer mains and laterals, and any structural BMP's (pipe galleries, draintile, sediment control structures, weir structures, etc.) installed under any permit, provided to the Public Works Sewer Division;

- NA Sewer Permit drawings for paving connections or stubs installed to service vertical development provided to Public Works, in addition to Private Service Lateral Permit Drawings;

- NA Documentation of Public Works notified for signal and lighting inspection of pole field layouts (staking), conduits and foundations installed, poles and wiring installed, and head positioning and phasing/detection verification (signals only);

- NA For infrastructure within parks: Documentation that Parks Department has been notified of completion status;

- NA All applicable operation and maintenance manuals provided to Public Works; and

- Certificate of Compliance signed and submitted to City by Engineer of Record.

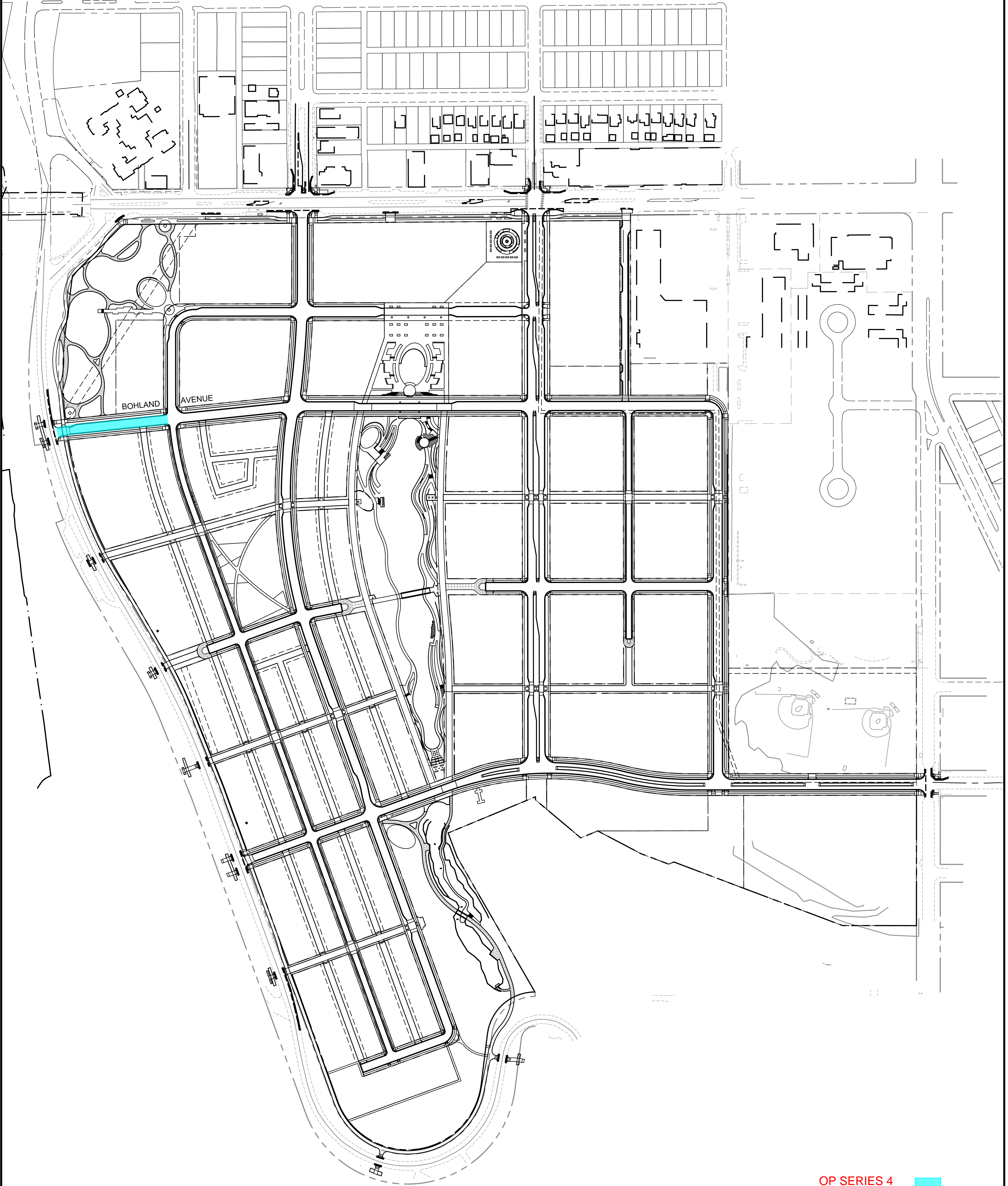
RELEASE OF PERMIT:

Permit No. _____ Council Res. No. _____ Permit Date _____

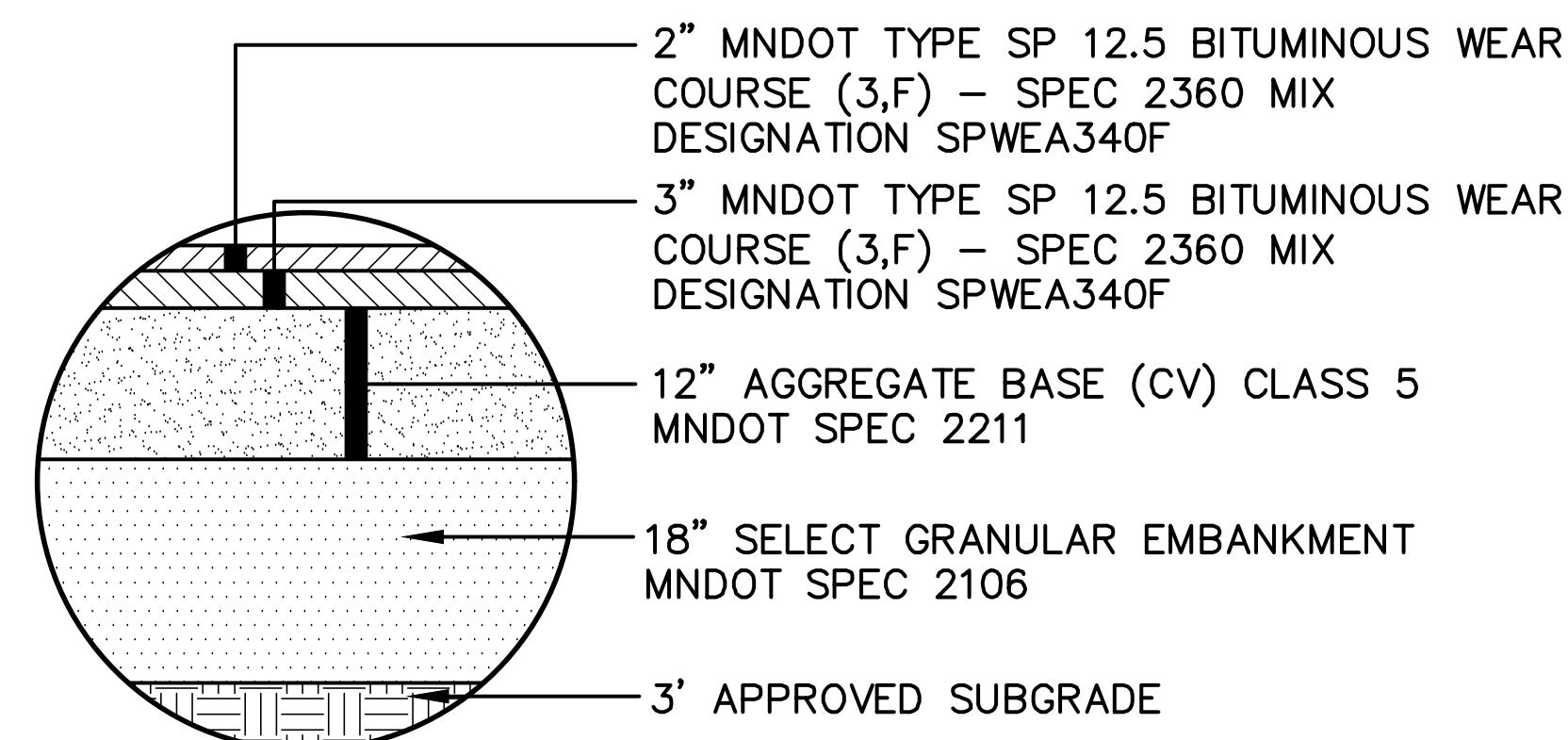
Release Authorized by _____ Title _____

This document, together with the concepts and designs presented herein, as an instrument of service, is intended only for the specific purpose and client for which it was prepared. Reuse of and improper reliance on this document without written authorization and adaptation by Kimley-Horn and Associates, Inc. shall be without liability to Kimley-Horn and Associates, Inc.

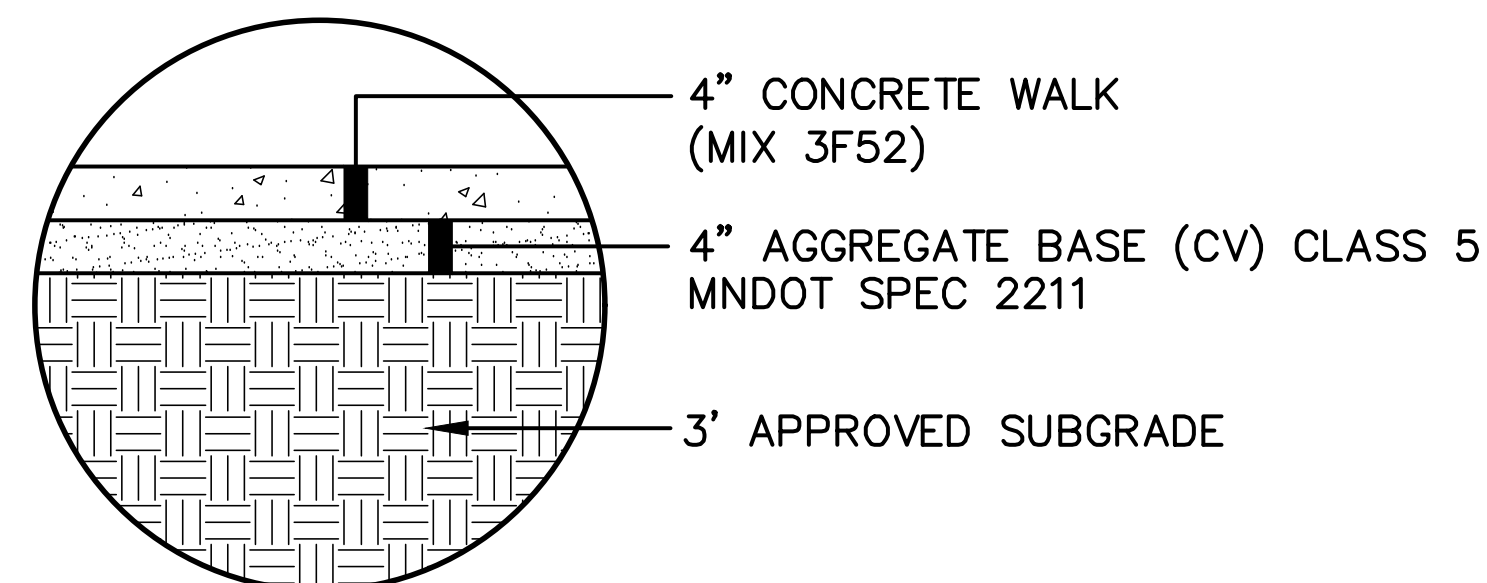
RIGHT OF WAY OP #4 - 20200010104
EXHIBIT



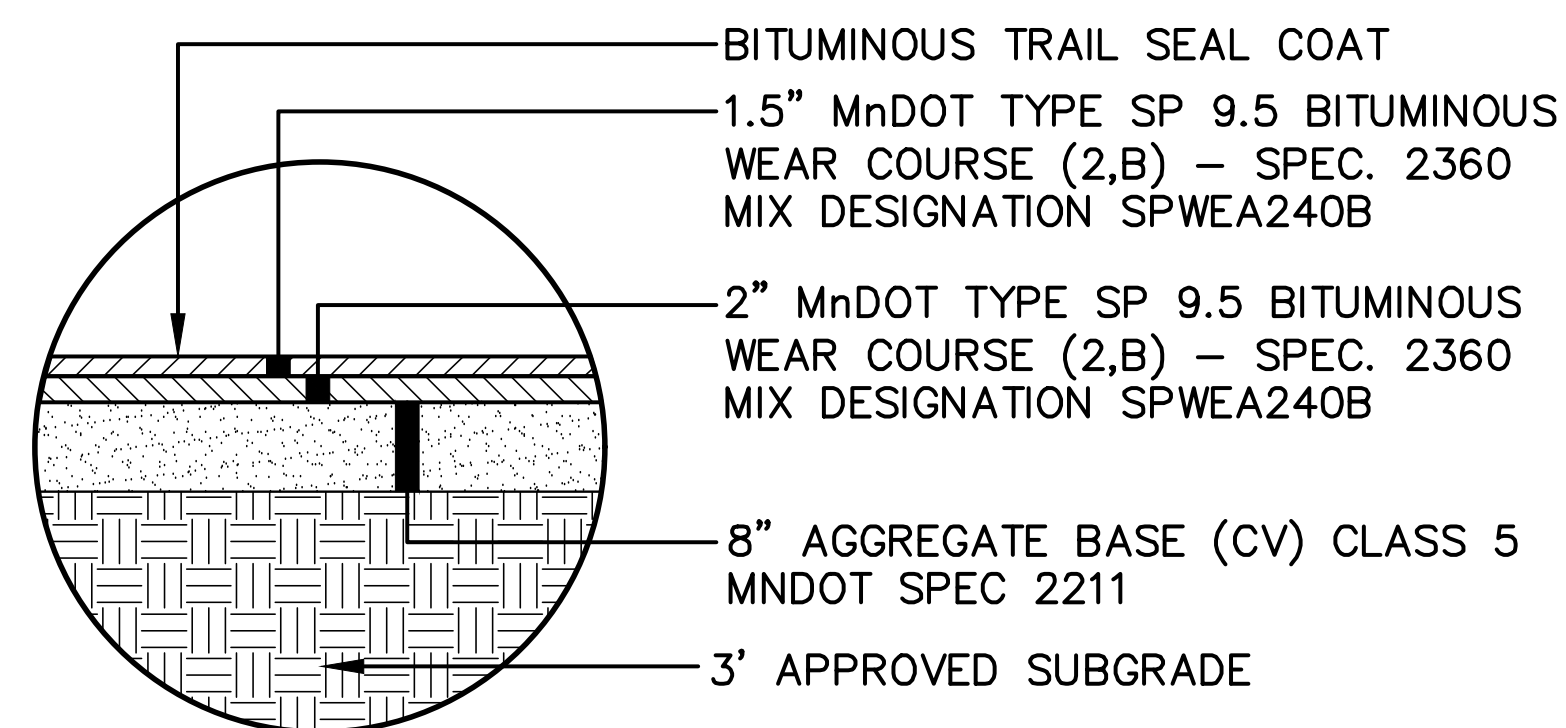
OP SERIES 4 



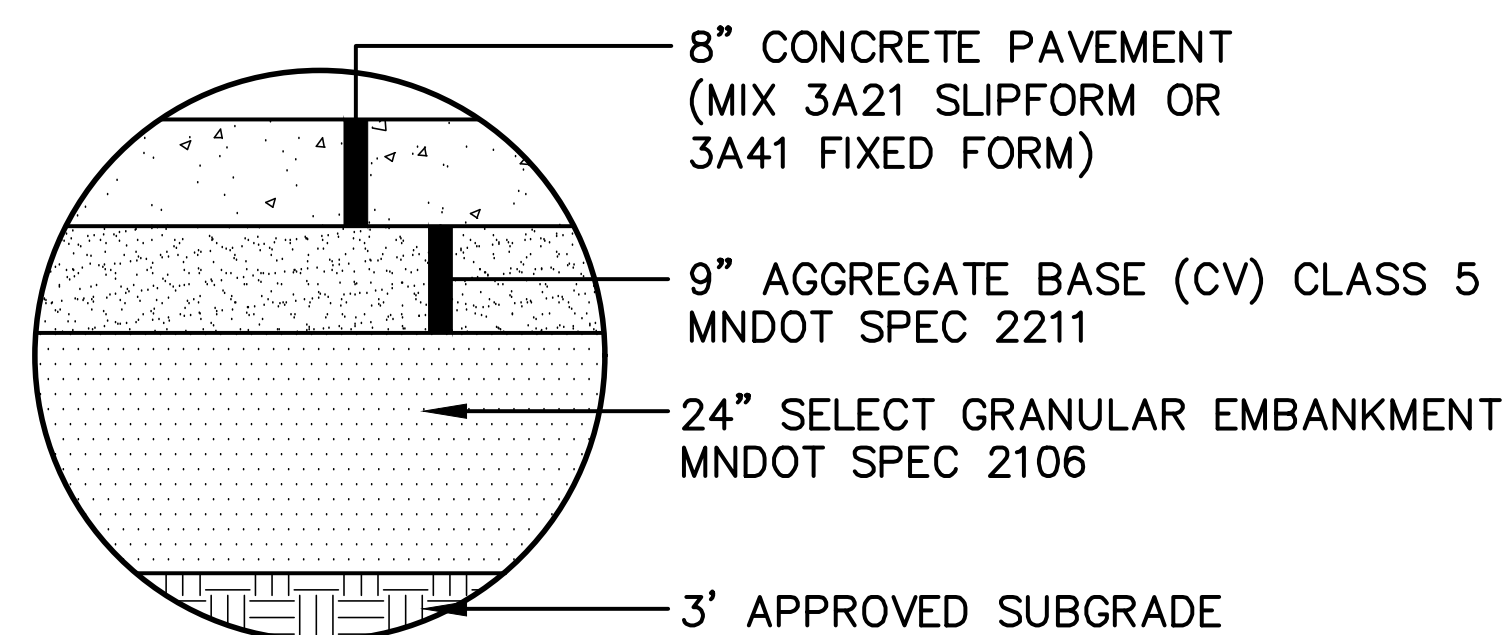
INSET A - PRIMARY ROAD



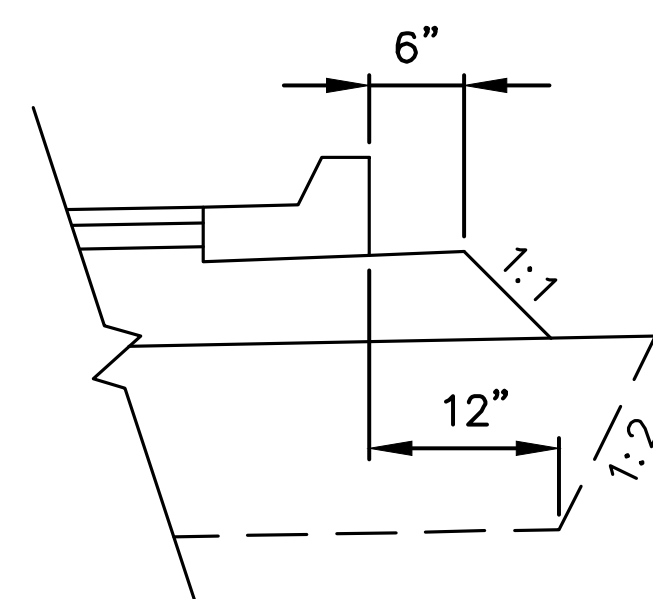
INSET C - 4" CONCRETE SIDEWALK



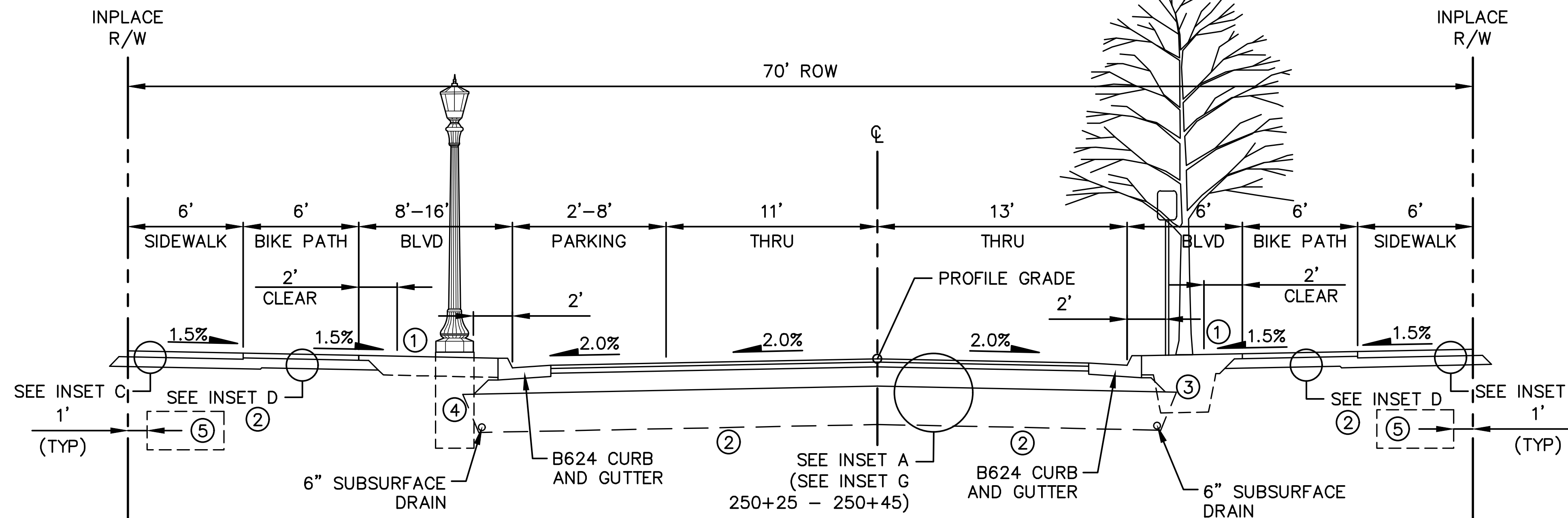
INSET D - BITUMINOUS TRAIL



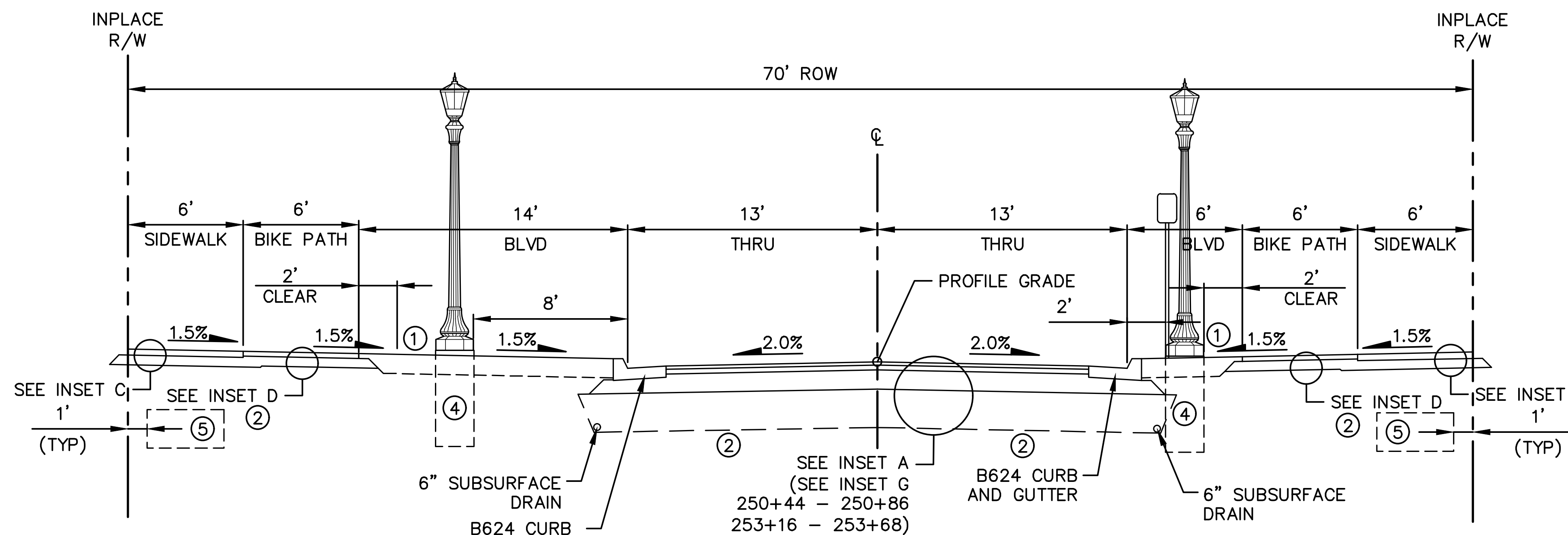
INSET G - 8" CONCRETE PAVEMENT



TYPICAL GRADING DETAIL AT CURBS



BOHLAND AVENUE
MISSISSIPPI BOULEVARD TO FALLS PASSAGE WEST
(STA. 240+11 - STA. 250+45)
FALLS PASSAGE EAST TO FINN STREET
(STA. 253+53 - STA. 262+43)



BOHLAND AVENUE
FALLS PASSAGE WEST TO FALLS PASSAGE EAST
(STA. 250+45 - STA. 253+53)

LEGEND

- ① BOULEVARD CROSS SLOPE MAY VARY FROM 0.5% TO 33%. PROPOSED SWALE BOTTOM TO BE 1 FOOT LOWER THAN EDGE OF PAVEMENT GRADE.
- ② EXCAVATE AND DISPOSE OF SHALE OR CONSTRUCTION DEBRIS ENCOUNTERED WITHIN 3 FEET OF FINISHED GRADE.
- ③ CENTER TREES IN BOULEVARD OR BACK SLOPE OF SWALE. MINIMUM OF 300 CF OF TOPSOIL REQUIRED FOR TREE ROOT ZONE (TOPSOIL SHALL DISPLACE ROADWAY MATERIALS).
- ④ LIGHT BASE DIMENSIONS OF 2' DIAMETER AND 6' DEEP PER MNDOT STANDARD PLATE 8127E. TOP OF FOUNDATION TO BE 3" ABOVE BLVD GRADE.
- ⑤ PRIVATE UTILITY CORRIDOR.

GENERAL NOTES:

- 1. BOULEVARD TREES AND STREETLIGHT TO ALTERNATE THE LENGTH OF THE STREET.
- 2. TREE DETAILS INCLUDED FOR GENERAL INFORMATION AND COMMENT. SPACING AND SPECIES OF BOULEVARD TREES TO BE INCLUDED ON LANDSCAPE PLANS.
- 3. STREETLIGHT DETAIL AND LOCATION INCLUDED FOR GENERAL INFORMATION AND COMMENT. SPACING OF STREET LIGHTING TO BE INCLUDED ON LIGHTING PLANS.
- 4. CITY STANDARD 12" OF TOPSOIL AND SEED/SOD.
- 5. UNLESS OTHERWISE SPECIFIED, THE OUTFALL CURB AND GUTTER CROSS SLOPES SHALL BE THE SAME AS THE ADJACENT FINISHED SURFACE.
- 6. TACK COAT TO BE APPLIED BETWEEN BITUMINOUS PAVEMENT LIFTS.
- 7. SIDEWALKS SHALL HAVE A MINIMUM CROSS SLOPE OF 1.5% AND A MAXIMUM CROSS SLOPE OF 2%. SIDEWALK THAT IS CONSTRUCTED OUT OF COMPLIANCE WILL BE REJECTED

No.	Date	Revisions	App.	DRAWING NAME
				Ford Plan Typs.dwg
				DESIGNED BY: RJG
				DRAWN BY: RJG
				CHECKED BY: GSB
				DATE: 05/27/20
				PROJECT NO. 160640016

Kimley»Horn

767 EUSTIS STREET, SUITE 100, ST. PAUL, MN 55114
PHONE: 651-645-4197
WWW.KIMLEY-HORN.COM

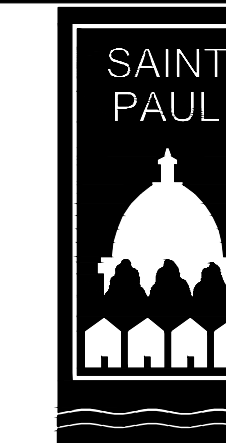
HEREBY CERTIFY THAT THIS PLAN, SPECIFICATION OR REPORT WAS PREPARED BY ME OR UNDER MY DIRECT SUPERVISION AND THAT I AM A DULY LICENSED PROFESSIONAL ENGINEER UNDER THE LAWS OF THE STATE OF MINNESOTA.

Gregory S. Brown

GREGORY S. BROWN, PE

DATE: 05/27/20 MN LIC. NO. 22814

RYAN



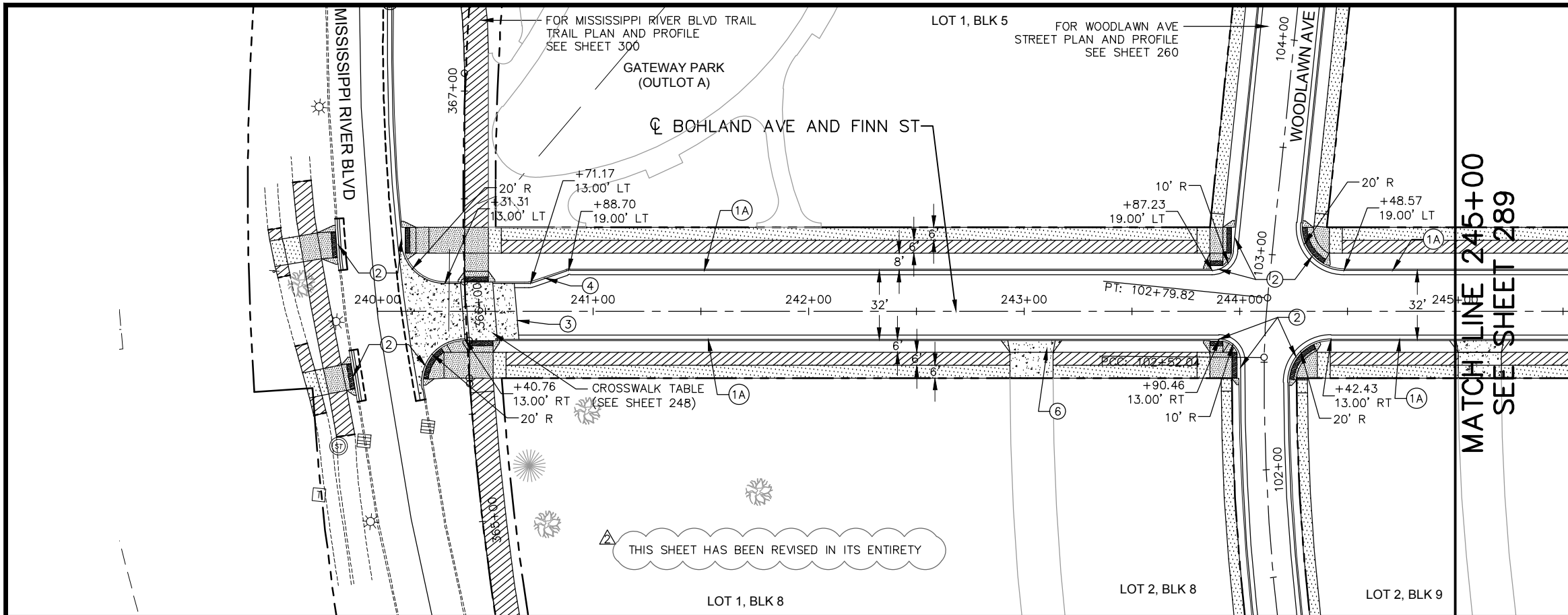
RYAN COMPANIES US, INC.
FORD SITE REDEVELOPMENT
CITY OF ST PAUL, MINNESOTA
FINAL SITE PLAN

TYPICAL SECTIONS

SHEET NO.

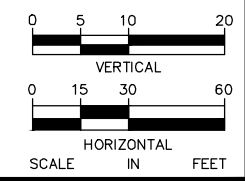
17

522

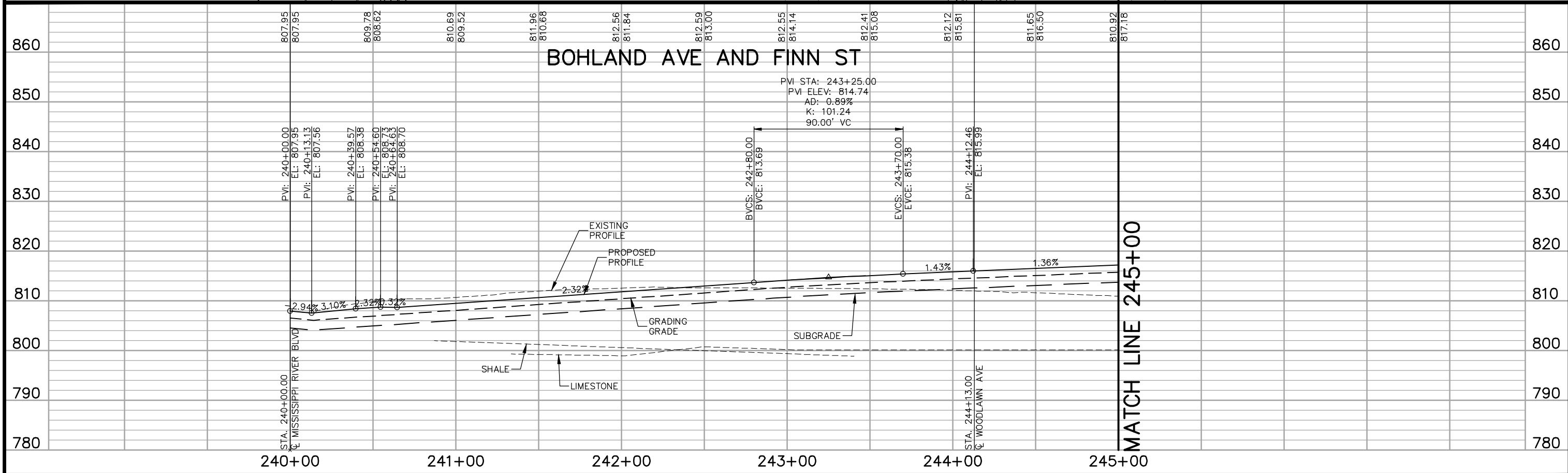


- LEGEND**
- ① CONCRETE CURB AND GUTTER
 - A - B624
 - B - B612 OUTFALL
 - C - B612 MODIFIED (SEE SHEET 247 ST. PAUL STD. PLATE 3106A)
 - ② PEDESTRIAN CURB RAMP
 - ③ CONCRETE HEADER JOINTS (SEE DETAIL SHEET 247)
 - ④ PARKING LANE 3:1 TAPER
 - ⑤ SHARED USE PATH PEDESTRIAN RAMP (SEE DETAIL ON SHEET 248)
 - ⑥ CONCRETE DRIVEWAY TYPE 6 (SEE DETAIL ON SHEET 248)
 - ⑦ CONCRETE MEDIAN NOSE (SEE DETAIL SHEET 249)
 - ⑧ ALLEY APRON (SEE SHEET 249)
 - ⑨ MEDIAN REFUGE (SEE SHEET 249)

- NOTES:**
1. ALL DIMENSIONS ARE TO FACE OF CURB UNLESS OTHERWISE NOTED.
 2. SEE TYPICAL SECTIONS FOR LANE, TRAIL AND SIDEWALK DIMENSIONS



THIS SHEET HAS BEEN REVISED IN ITS ENTIRETY



No.	Date	Revisions	App.
2	7/1/20	BULLETIN #2	GSB

DESIGNED BY:	RJG
DRAWN BY:	RJG
CHECKED BY:	GSB
DATE:	05/27/20
PROJECT NO.	160640016

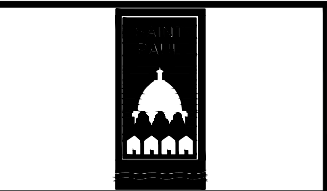
Kimley»Horn

767 EUSTIS STREET, SUITE 100, ST. PAUL, MN 55114
 PHONE: 651-645-4197
 WWW.KIMLEY-HORN.COM

I HEREBY CERTIFY THAT THIS PLAN, SPECIFICATION OR REPORT WAS PREPARED BY ME OR UNDER MY DIRECT SUPERVISION AND THAT I AM A DULY LICENSED PROFESSIONAL ENGINEER UNDER THE LAWS OF THE STATE OF MINNESOTA.

Gregory S. Brown

GREGORY S. BROWN, PE
 DATE: 05/27/20 MN LIC. NO. 22814

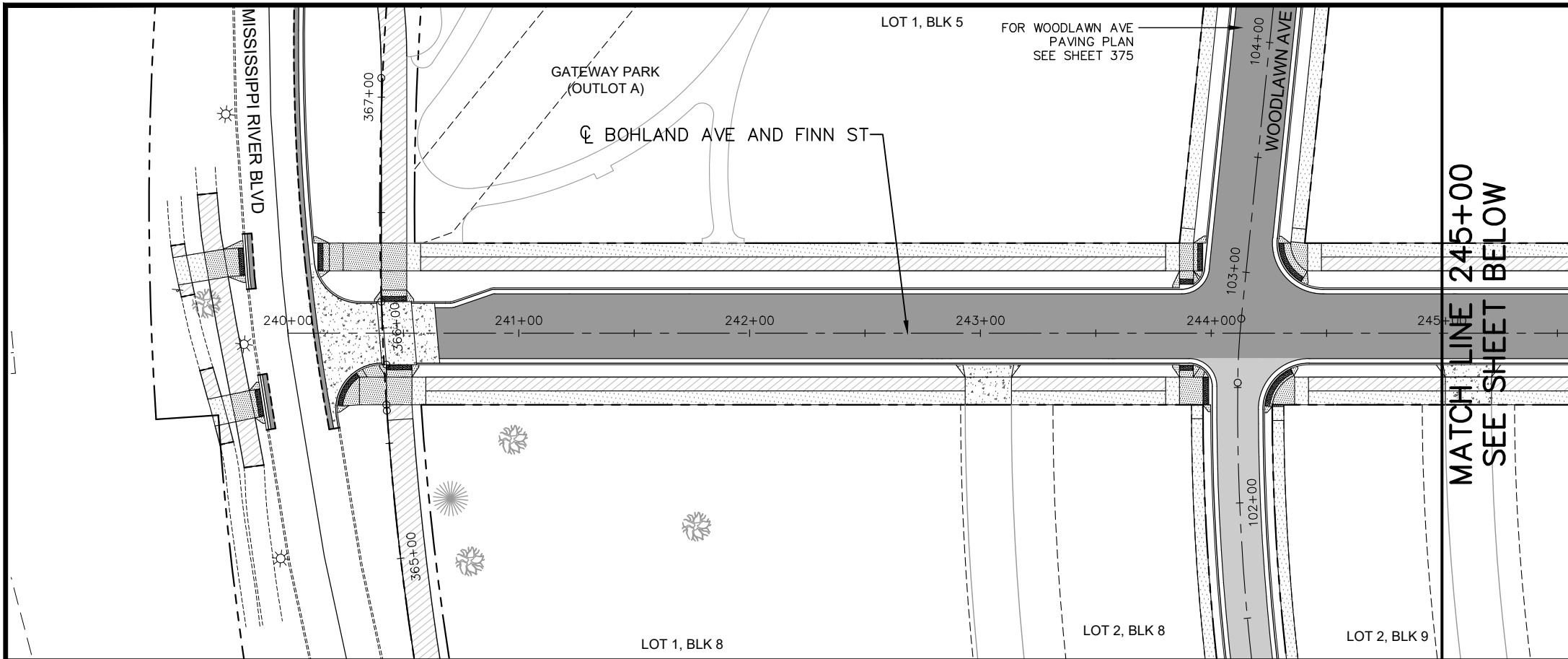


RYAN COMPANIES US, INC.
 FORD SITE REDEVELOPMENT
 CITY OF ST PAUL, MINNESOTA
 FINAL SITE PLAN

BOHLAND AVE
 STREET PLAN AND PROFILE
 STA. 240+00 TO STA. 245+00

SHEET NO.
288

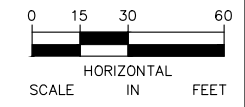
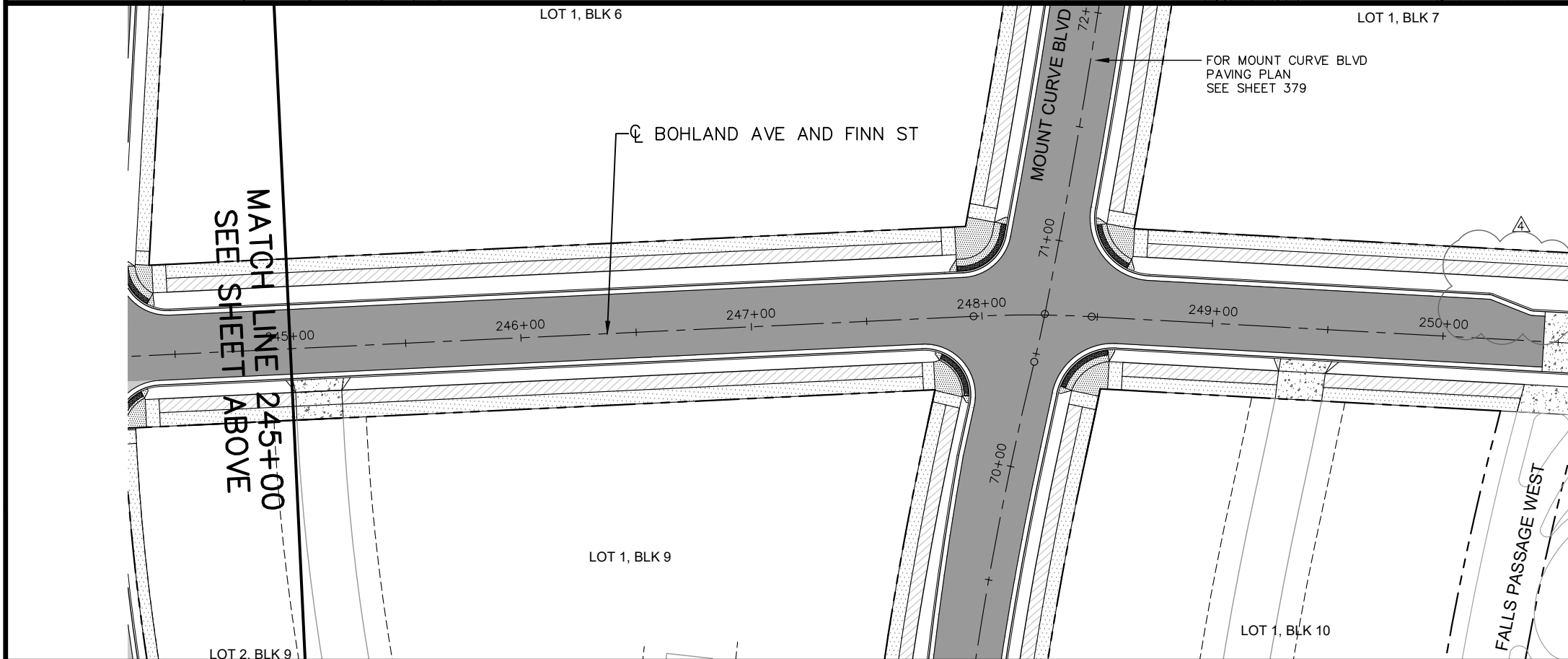
522



LEGEND

	BITUMINOUS ROADWAY
	BITUMINOUS ROADWAY SECONDARY
	BITUMINOUS TRAIL
	SHARED USE TRAIL
	4" CONCRETE WALK
	6" CONCRETE WALK (HEAVY DUTY)
	8" CONCRETE ROADWAY AND DRIVEWAY

IT IS THE RESPONSIBILITY OF THE PRIVATE LAND OWNERS TO ENSURE FIRE ACCESS IS PROVIDED FOR EVERY STRUCTURE ON THE FORD SITE, WHETHER THE FIRE ACCESS IS VIA PRIVATE PROPERTY OR IN PUBLIC RIGHT-OF-WAY. WITH REGARDS TO THE STREET DESIGN OF MONTREAL AVE, INCLUDING THE AREA WEST OF CLEVELAND AVENUE AND EAST OF FALLS PASSAGE EAST, THE ST. PAUL FIRE DEPARTMENT WILL ACCEPT RYAN COMPANIES CONSTRUCTING CONTINUOUS MEDIANS IN THE ROADWAY AS PART OF THE INITIAL INFRASTRUCTURE DELIVERY AND PRIOR TO ANY VERTICAL DEVELOPMENT OF THE ADJOINING SITES. THE FIRE DEPARTMENT DEFERS TO PUBLIC WORKS FOR THEIR NEEDS FOR PROVIDING OPENINGS IN THE MEDIAN AND DRIVEWAYS WHERE APPLICABLE. ONCE VERTICAL DEVELOPMENT COMMENCES ON ANY PORTION OF ANY SITE ADJACENT TO A MEDIAN, FIRE ACCESS IS REQUIRED TO BE PROVIDED EITHER ON THE SITES THEMSELVES OR ON THE PUBLIC RIGHT-OF-WAY. IF, AT THE TIME THE SITES ARE DEVELOPED, THERE IS NOT FIRE ACCESS ON THE PRIVATE SITES THEMSELVES, IT WILL BE THE RESPONSIBILITY OF THE DEVELOPER OF THE RESPECTIVE PRIVATE DEVELOPMENT TO MODIFY THE STREET DESIGN, INCLUDING THE POSSIBILITY OF MODIFYING OR REMOVING MEDIANS.



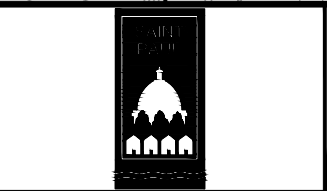
No.	Date	Revisions	App.
4	9/2/20	BULLETIN #4	GSB

DRAWING NAME Ford PavePlan EW.dwg	
DESIGNED BY:	RJG
DRAWN BY:	RJG
CHECKED BY:	GSB
DATE:	05/27/20
PROJECT NO.	160640016

Kimley»Horn
 767 EUSTIS STREET, SUITE 100, ST. PAUL, MN 55114
 PHONE: 651-645-4197
 WWW.KIMLEY-HORN.COM

I HEREBY CERTIFY THAT THIS PLAN, SPECIFICATION OR REPORT WAS PREPARED BY ME OR UNDER MY DIRECT SUPERVISION AND THAT I AM A DULY LICENSED PROFESSIONAL ENGINEER UNDER THE LAWS OF THE STATE OF MINNESOTA.

Gregory S. Brown
 GREGORY S. BROWN, PE
 DATE: 05/27/20 MN LIC. NO. 22814



RYAN COMPANIES US, INC.
 FORD SITE REDEVELOPMENT
 CITY OF ST PAUL, MINNESOTA
 PRELIMINARY SITE PLAN

BOHLAND AVE
 PAVING PLAN
 STA. 240+00 TO STA. 251+00

SHEET NO.
390

522